

«APPROVED»

FOR

Chief Designer of the SSJ Program -
Deputy Vice-President for design

Lavrov V.N.

«11th» of August 2016

Khokhlov A.

DECISION

on one-time inspection of elevator actuator joint with elevator bracket
for the lack of bushes.

RRJ0000-OR-470-8879/C

During one RRJ-95 Operator investigation of aircraft inability to maintain preselected altitude in auto mode shown as altitude periodical fluctuations up to 30 meters from the preselected value, it was revealed that the floating bush P/N T7.92.5101.107.000.73/A and bush P/N T7. 92.3220.126.000.73/A were missing in one of the joints of the elevator actuator and elevator bracket. Missing bushes were the only reason of aircraft inability to maintain preselected altitude in auto mode.

DECISION:

All RRJ-95 aircraft in operation are a subjected to one-time inspection for the missing bushes in the joints of elevator actuator and elevator bracket within next 750FH of operation.

For all the aircraft demonstrated inability to maintain preselected altitude in auto mode inspections to be accomplished prior to next departure.

Inspection to be performed in a “one-by-one” order as stated below:

1. Disconnect actuator rod from the elevator in accordance with Item 1 of the Procedure applied herein. Make sure that the floating bush p/n T7.92.5101.107.000.73/A is installed in the bush p/n T7.92.3220.127.000.73/B; make sure that the bush p/n T7. 92.3320.126.000.73/A is also installed. The above operations to be performed in accordance with Item 1 of the Instruction in the attachment;

2. Connect the actuator rod to the elevator bracket in accordance with Item 2.1 of the attached Instruction for the internal actuators and in accordance with Item 2.2 for elevator external actuators respectively;

RRJ0000-OR-470-8879/C

3. Report inspection results with the photos substantiating Item 1 of this Decision to TCH via the following addresses:
customercare@scac.ru и airworthiness@scac.ru.

4. If both the floating bush T7.92.5101.107.000.73/A and the bush P/N T7.92.3220.126.000.73/A are installed in all elevator hinge fittings, normal aircraft operation is allowed;

5. If either the floating bush P/N T7.92.5101.107.000.73/A or the bush P/N T7.92.3220.126.000.73/A found missing in any elevator hinge joints the aircraft operation should be suspended until the discrepancy is corrected in accordance with Manufacture recommendation;

6. Consider the Decision № RRJ0000-OR-470-8879 «On one-time inspection of elevator actuator joint with elevator bracket for the lack of bush p/n T7.92.5101.107.000.73/A» dated 29th of July, 2016 as repealed.

For the aircraft where inspection according to above mentioned Decision № RRJ0000-OR-470-8879 «On one-time inspection of elevator actuator joint with elevator bracket for the lack of bush p/n T7.92.5101.107.000.73/A» dated 29th of July, 2016 revealed excessive elevator free play Manufacture is to provide separate Decision addressing discrepancy correction.

7. For aircraft with Items 3 and 4 of the Decision № RRJ0000-OR-470-8879 «On one-time hinge-fitting elevator inspection with respect to the lack of bush p/n T7.92.5101.107.000.73/A» dated 29th of July 2016 accomplished for any elevator actuator and elevator bracket joints no inspection required according to this Decisions.

Attachment: procedure to perform Item 1 and 2 of the Decision RRJ0000-OR-470-8879/C dated the 11th of August, 2016 «On one-time inspection of elevator actuator joint with elevator bracket for the lack of bushes» on 4 pages.

Instruction to accomplish Items 1 and 2

of the Decision RRJ0000-OR-470-8879/C dated 11-th of August, 2016 «On one-time inspection of elevator actuator joint with elevator bracket for the lack of bushes».

1. ELEVATOR ACTUATOR JOINT DISASSEMBLING PROCEDURE.

1. Remove dust, contaminants, oil leak signs and moisture found on actuator mounting bracket with cleaning rags steeped in HEФPAC-C2-80/120;
2. Remove and dispose the cotter pin (9);
3. Unscrew the nut (8) and remove the washer (7). Safe keep the nut and washer for the following assembly procedure;
4. Unscrew the bolt (3) and remove the washer (4). Dispose the washer;
5. Dismount the bolt (5);
6. Take the actuator eyelet (10) away from the eyelet of actuator mounting bracket;
7. Remove the bushes (6) and (11). Safe keep the bushes for the following assembly procedure.

2. ELEVATOR ACTUATOR JOINT ASSEMBLING PROCEDURE.

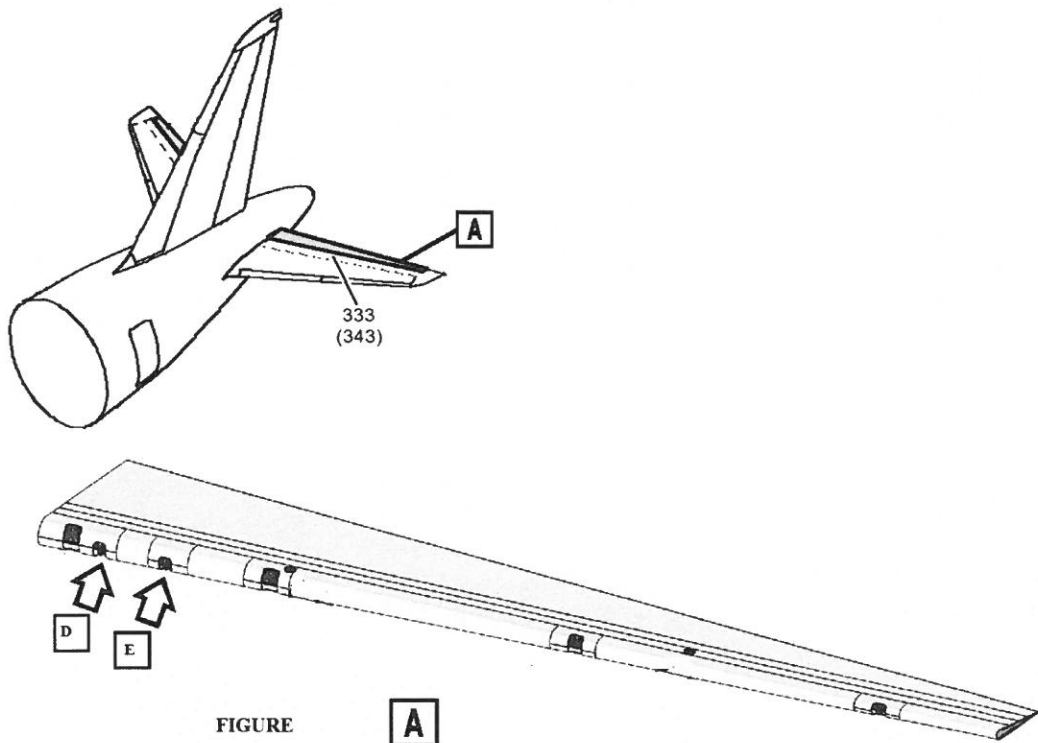
2.1 INTERNAL ACTUATOR (fig. D).

1. Apply the thin layer of AJIKM-1 compound with the brush on the bush (11) mounting surfaces;
2. Install the bush (11);
3. Apply the thin layer of grease “Эпа (ВНИИ НП-286М)” with the brush onto functional surfaces and threads of bolts 3, 5 and the bush (6);
4. Place elevator actuator eyelet (10) inline with actuator mounting bracket eyelets;
5. Install the bolt (5) onto the bush (6);
6. Install the washer (7) and fit the nut (8);
7. Install the bolt (3) and a new washer (4);
8. Lock the bolt (3) with the washer (4);
9. Tight the nut (8) with the torque $(17 \pm 3) \text{ N}\cdot\text{m}$ [$(12.5 \pm 2.2) \text{ lbf}\cdot\text{ft}$];

10. Lock the nut (8) with the new cotter pin (9).

2.2 EXTERNAL ACTUATOR (fig. E).

1. Apply the thin layer of АЖКМ-1 compound with the brush on the bush (11) mounting surfaces;
2. Install the bush (11);
3. Apply the thin layer of grease “Эра (ВНИИ НП-286М)” with the brush onto functional surfaces and threads of bolts 3, 5 and the bush (6);
4. Place elevator actuator eyelet (10) inline with actuator mounting bracket eyelets;
5. Install the bush (6) on the bolt (5);
6. Install the bolt (5) with installed bush (6) in to eyelets;
7. Install the washer (7) and fit the nut (8);
8. install the bolt (3) and a new washer (4);
9. Lock the bolt (3) with the washer (4);
10. Tight the nut (8) with the torque $(17 \pm 3) \text{ N}\cdot\text{m}$ [$(12.5 \pm 2.2) \text{ lbf}\cdot\text{ft}$];
11. Lock the nut (8) with the new cotter pin (9).



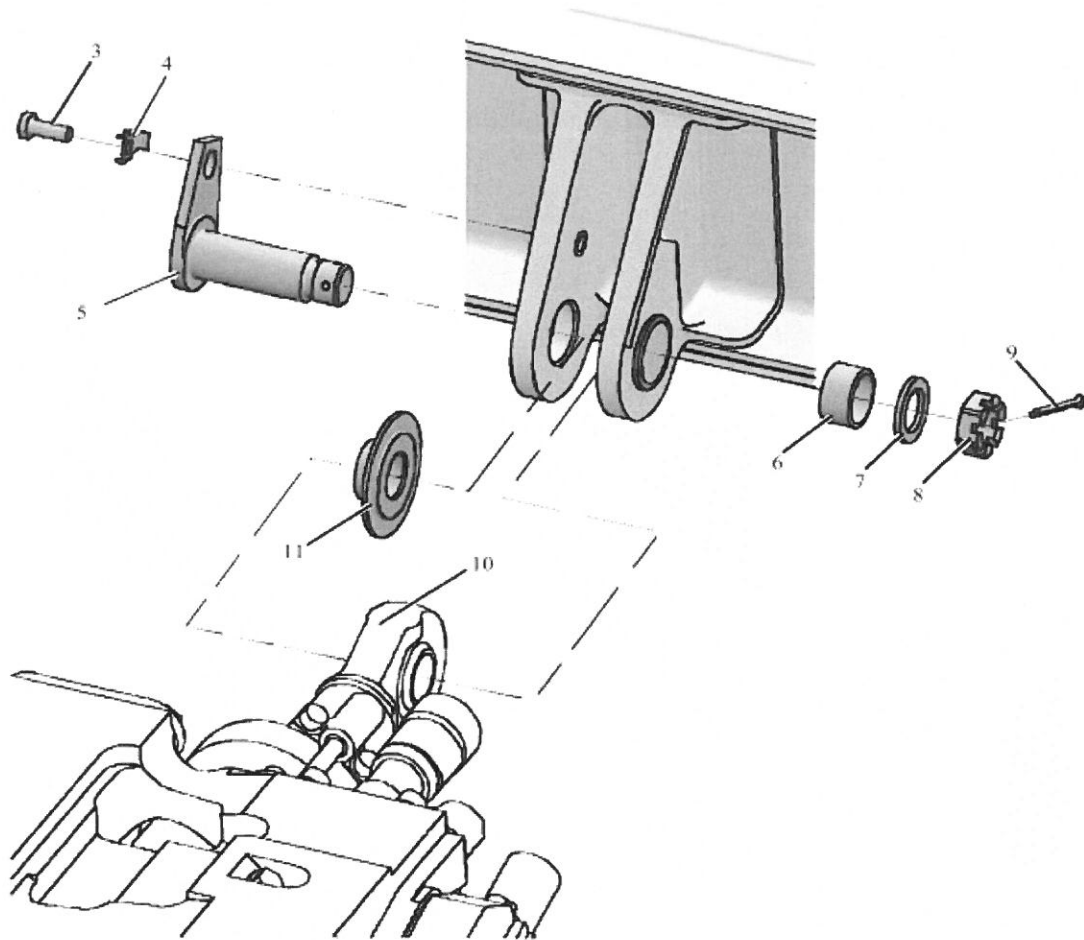


FIGURE D
(FOR INTERNAL ACTUATOR)

ONLY LEFT ACTUATOR IS SHOWN, RIGHT ACTUATOR IS THE MIRROR IMAGE.

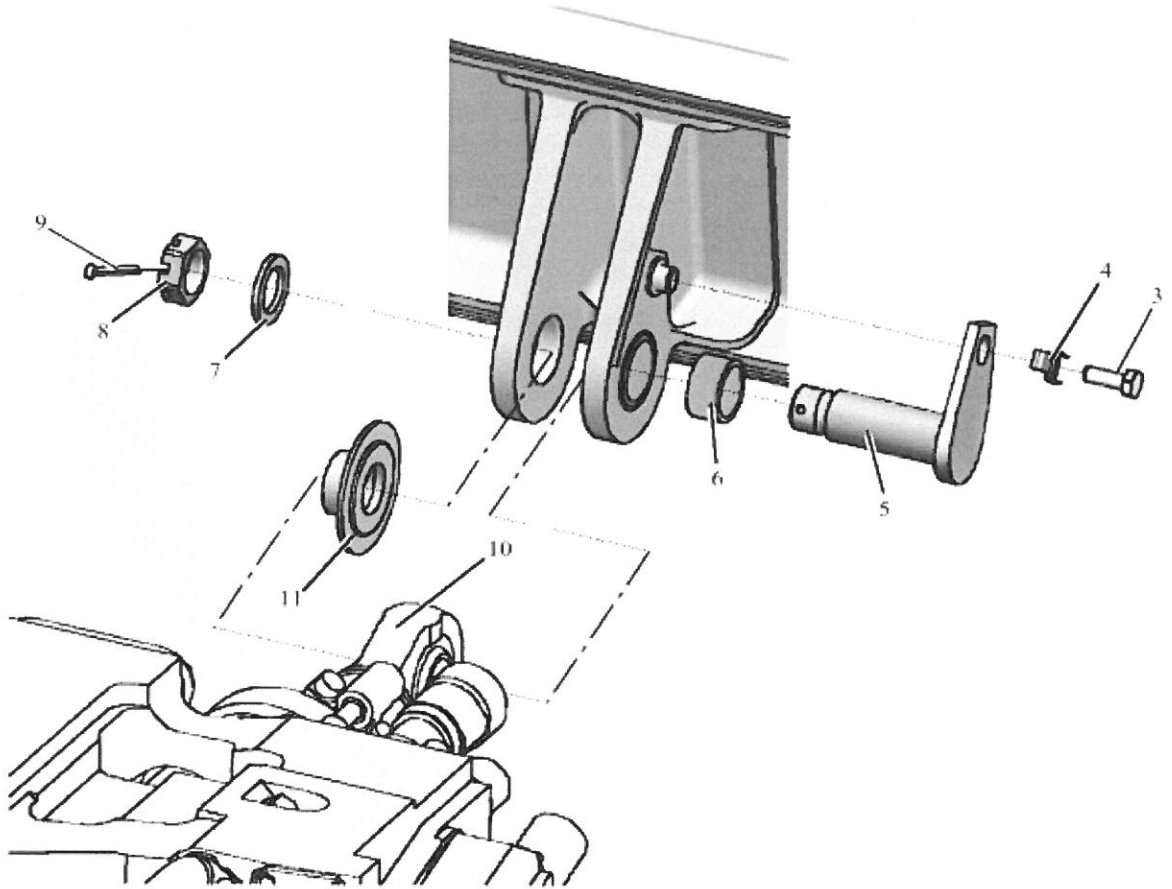


FIGURE [E]
(FOR EXTERNAL ACTUATOR)

ONLY LEFT ACTUATOR IS SHOWN, RIGHT ACTUATOR IS THE MIRROR IMAGE.