



**RUSSIAN FEDERATION
MINISTRY OF TRANSPORT OF RUSSIAN FEDERATION
FEDERAL AIR TRANSPORT AGENCY**

AIRWORTHINESS DIRECTIVE

19 August, 2019

No. 2019-FATA-01020A-07

Applicability – RRJ-95 aircraft

State of Manufacture – Russian Federation

Corrective actions described herein are mandatory. No operator may operate an aircraft to which this AD applies, except in accordance with the requirements hereof.

Due to incorrect reference in items 2 contained in SCAC's Technical Decision RRJ0000-OR-470-3016/A dated 31.07.2019 and Airworthiness Directive (further – AD) No. 2019-FATA-01020A-06 dated 05.08.2019 as regards to one-time inspection of the bearings of links of tracks of section 1 of a slat of LH and RH outer wing.

WE PROPOSE:

1. Item 2 of AD No. 2019-FATA-01020A-06 dd 05.08.2019 shall be amended to read as follows:

“During the weekly WY-Check/8 DY on RRJ-95 A/C MSN 95007-95220 to perform inspections of links of tracks (See Fig.3 items 16, 27 and 31) and bearings of links of tracks of section 1 of a slat of LH and RH outer wing in accordance with provisions of p. 4. Б. (2) and (7) of AMM Task No. 57-42-00-220-802.

Note: Until next scheduled AMM revision – to be guided by AMM Task No. 57-42-00-220-802 dd 28.06.2019 distributed via Information Letter No. 57-0914-19 rev.00”.

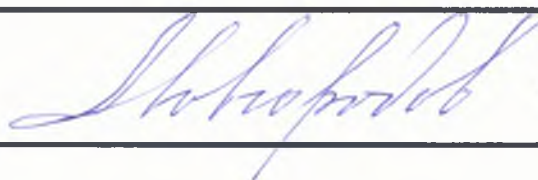
2. In case AD No. 2019-FATA-01020A-06 is implemented subject to the recommendations provided for in the Information Letter No. 00-0913-19 until 19.08.2019 – this AD is to be considered implemented subject to the requirements of AD No. 2019-FATA-01020A-07 dd 19.08.2019

3. Implementation of AD No. 2019-FATA-01020A-06 dd 05.08.2019 starting from 20.08.2019 is to be performed based on the amendments introduced by AD No. 2019-FATA-01020A-07 dd 19.08.2019 and Decision No. RRJ0000-OR-470-3016/B dd 13.08.2019.
4. In cases listed in items 2,3 hereof when filling in the operational documentation and reports on AD implementation to complete them with the following record – “AD No. 2019-FATA-01020A-06 dd 05.08.2019 is implemented”.

Attachment:

- Technical Decision No. RRJ0000-OR-470-3016/B dd 13.08. 2019 on 5 pages in 1 copy;
- Information Letter No. 00-0913-19 dd 19.08.2019 on 2 pages in 1 copy;
- Information Letter No. 57-0914-19 dd 06.08.2019 on 8 pages in 1 copy.

Deputy Director
Federal Air Transport Agency



A. Novgorodov

“APPROVED BY”
SCAC Chief Designer of SSJ program


V.N. Lavrov
August 13 2019

TECHNICAL DECISION RRJ0000-OR-470-3016/B

on continued airworthiness of aircraft type RRJ-95
in connection with finding of cracks on inner ring of bearings of link of track of slat
section

In the course of implementation of AD Nos. 2019-322-03 and 2019-322-05 on RRJ-95 A/C fleet the cracks on inner ring of a bearing of link of track of a slat section 1 have been revealed. In order to timely detect and eliminate the identified non-conformity as regards to link of track of a slat section, as well as to identify the nature of non-conformity and further actions to be implemented on link of track of a slat section 1 the following shall be adopted

DECISION:

1. During the weekly WY-Check/8 DY on RRJ-95 A/C MSN 95030, 95037 and from 95116-95220 to perform inspections of links of tracks (See Fig.1 (items 1,2) and Fig.2 (item 3) and bearings of links of tracks of sections 2, 3 and 4 of a slat of LH and RH outer wings in accordance with provisions of p. 4. Б. (2) and (6) of AMM Tasks Nos. 57-43-00-220-802, 57-44-00-220-802 and 57-45-00-220-802 until the implementation of SB No. RRJ-57-00451-BD “Wing – Replacement of link of track of a slat section”.

NOTE: Until next scheduled AMM revision – to be guided by AMM Tasks Nos. 57-43-00-220-802, 57-44-00-220-802 and 57-45-00-220-802 dd June 28, 2019, distributed via Information Letter No. 57-0824-19.

2. During the weekly WY-Check/8 DY on RRJ-95 A/C MSN 95007-95220 to perform one-time inspection of links of tracks (See Fig.3 (items 16, 27 and 31) and bearings of links of tracks of section 1 of a slat of LH and RH outer wing in accordance with provisions of p. 4. Б. (2) and (7) of AMM Tasks Nos. 57-42-00-220-802.

NOTE: Until next scheduled AMM revision – to be guided by AMM Task No. 57-42-00-220-802 dd June 28, 2019, distributed via Information Letter No. 57-0914-19 Rev.00.

3. In case of finding of a crack of link of track and/or destruction and/or press-out of the bearing of link of track of sections 1, 2, 3 and 4 of a slat of LH and/or RH outer wing following the results of implementation of p.1 and 2 hereof – to replace the damaged track link assembly (link of track and bearing):

RRJ0000-OR-470-3016/B

For slat section 1 – to replace with the current configuration of link of track of section 1 of a slat, IAW AMM Task No. 57-42-00-900-804.

For slat sections 2,3 and 4 – to replace with the configuration of link of track of sections 2, 3 and 4 of a slat IAW identification information in Table 1 and IAW AMM Tasks Nos. 57-43-00-900-804, 57-44-00-900-804 and 57-45-00-900-804.

NOTE:

1. Replacement of the damaged link of track of sections 2, 3 and 4 of a slat with the current configuration is allowed subject to continuation of inspections IAW with provisions of p.1 hereof.
 2. Presence of two or more cracks on one inner ring of the bearing of link of track is considered as destruction of the bearing.
4. After replacement of the track link assembly of sections 2, 3 and 4 of a slat to continue the inspections of link of track of the aforementioned sections of a slat of LH and RH outer wing during the weekly WY-Check/8 DY IAW with provisions of p.1 hereof and with consideration to the following conditions:
 - 1) In case of partial replacement of track link assembly – inspections are to be performed in full scope, including inspection of the replaced items;
 - 2) In case of full replacement of track link assemblies SB No. RRJ-57-00451-BD “Wing – Replacement of link of track of slat section” to be considered as implemented, the inspections shall be performed IAW MPD requirements.
 5. The results of implementation of provisions of paragraphs 1-3 shall be sent to the Operational Situation Center customer-care@scac.ru.
 6. This Technical Decision shall supersede Technical Decision RRJ0000-OR-470-3016/A.

Table 1.

Track No.	Installed on A/C	To be installed in replacement of	Applicability
3	T7.92.3621.515.000.70/A	T7.92.3621.515.100.70/A	95030, 95037, 95116-95220
3, 5	T7.92.3621.520.000.70/A	T7.92.3621.520.100.70/A	95030, 95037, 95116-95220
4	T7.92.3621.615.000.70/A	T7.92.3621.615.105.70/A	95030, 95037, 95116-95144
4	T7.92.3621.615.000.70/B	T7.92.3621.615.100.70/A	95145-95220
5	T7.92.3621.525.000.70/A	T7.92.3621.525.100.70/A	95030, 95037, 95116-95220
6	T7.92.3631.615.000.70/A	T7.92.3631.615.100.70/A	95030, 95037, 95116-95220
7	T7.92.3631.515.000.70/A	T7.92.3631.515.100.70/A	95030, 95037, 95116-95220
7	T7.92.3631.520.000.70/A	T7.92.3631.520.100.70/A	95030, 95037, 95116-95220
8	T7.92.3641.615.000.70/A	T7.92.3641.615.100.70/A	95030, 95037, 95116-95220
9	T7.92.3641.515.000.70/A	T7.92.3641.515.100.70/A	95030, 95037, 95116-95220
9	T7.92.3641.520.000.70/A	T7.92.3641.520.100.70/A	95030, 95037, 95116-95220

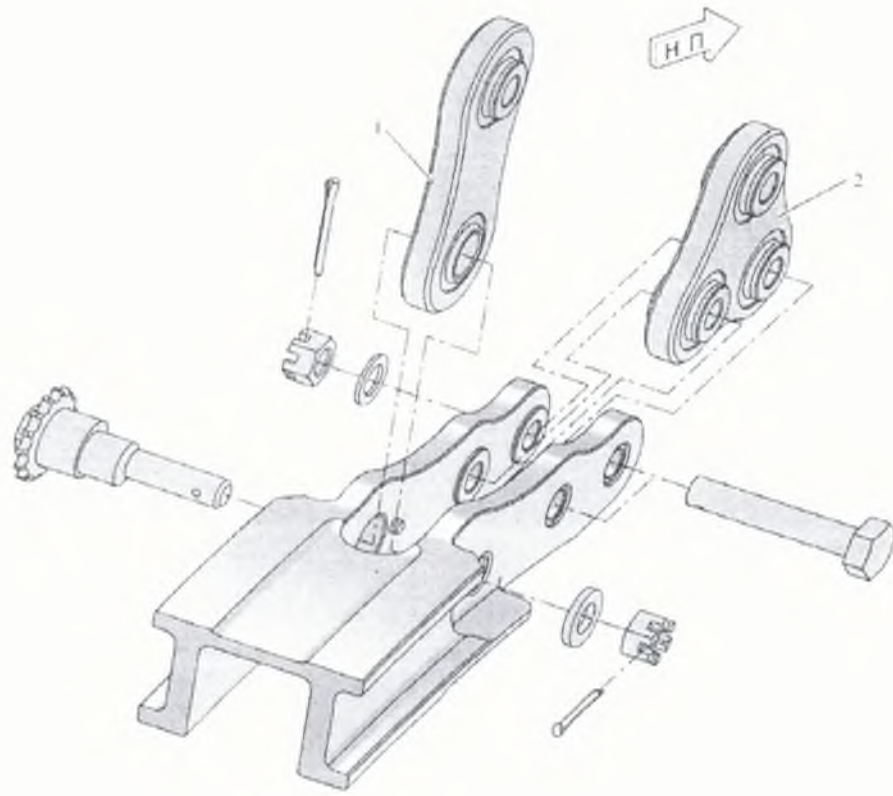


Fig.1

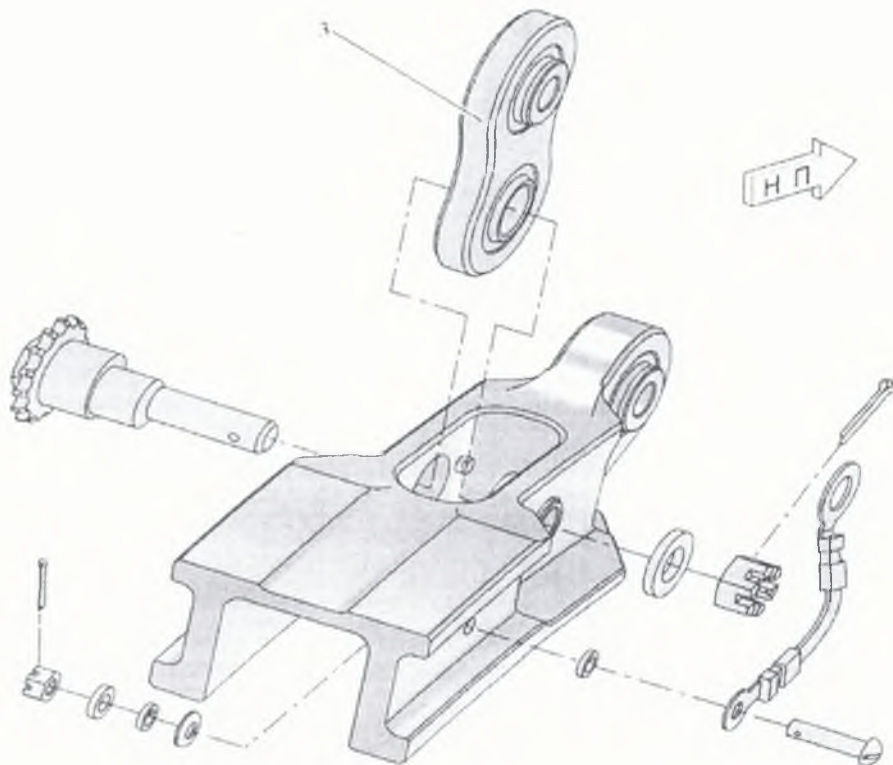


Fig.2

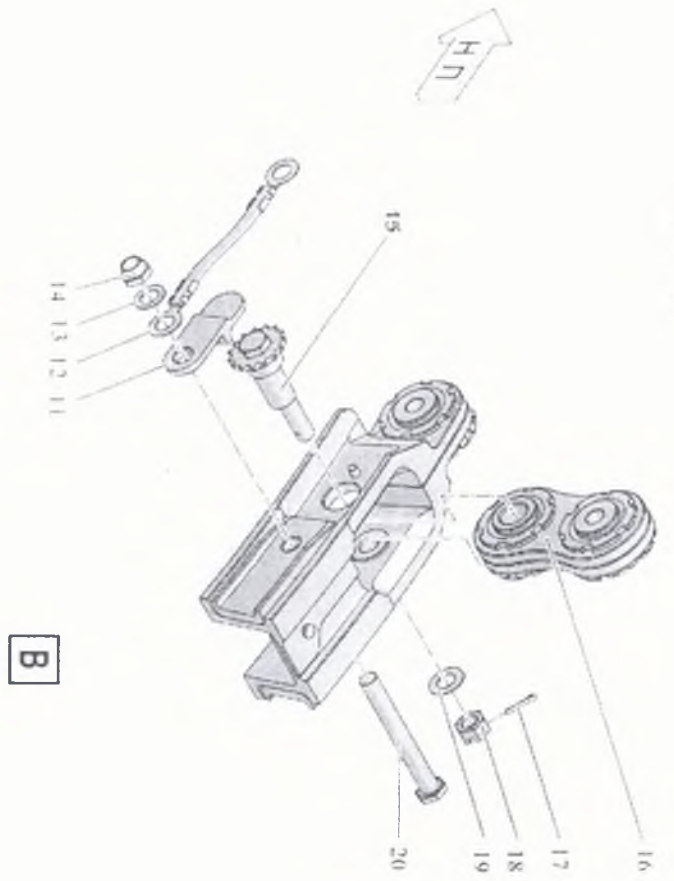
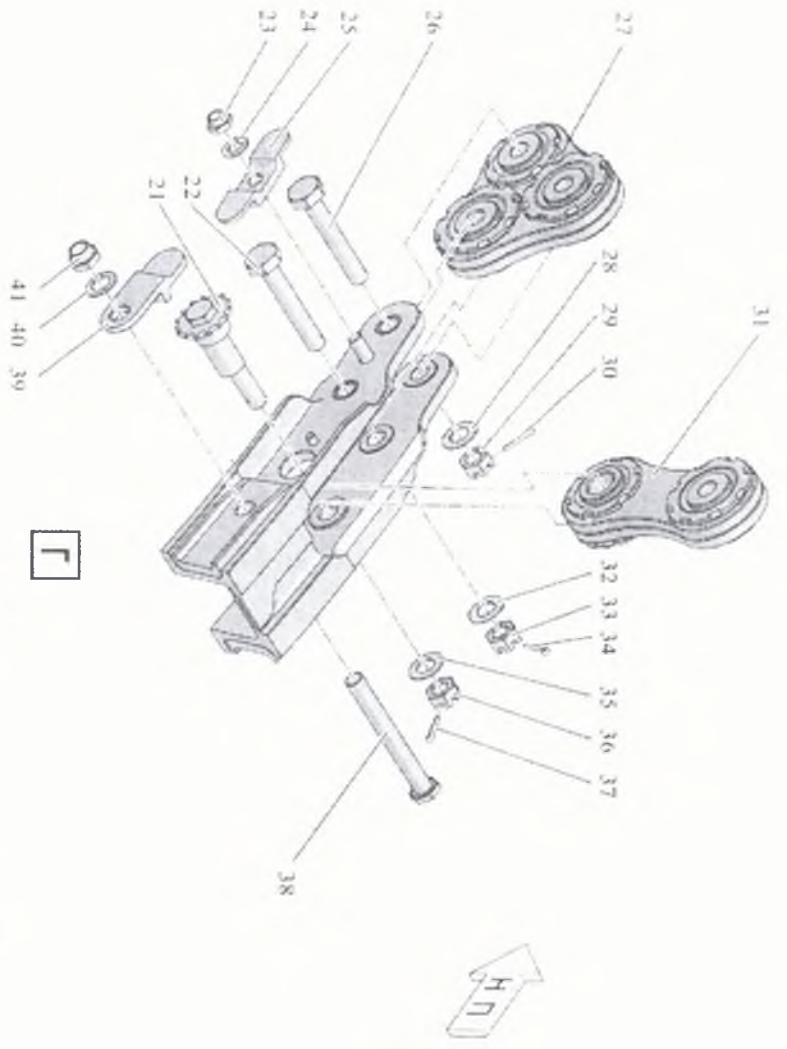


Fig.3

CUSTOMER SUPPORT CENTER

SCAC, RUSSIA, 115280, MOSCOW,
ST. LENINSKAYA SLOBODA, 26
TEL: (495) 727-19-88



INFORMATION LETTER **№00-0913-19 Rev.00**

SUBJECT: Providing recommendations for the implementation of the AD№ 2019-FATA-01020A-06

ATA: 00-00-00

AIRCRAFT TYPE: RRJ-95

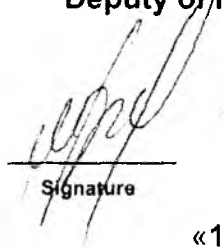
EFFECTIVITY: ALL

REFERENCES: N/A

1. **PURPOSE:** Providing recommendations for the implementation of the AD№ 2019-FATA-01020A-06.
2. **INTRODUCTION:** N/A
3. **DESCRIPTION:** The Type Certificate Holder (TCH) of RRJ-95, JSC «Sukhoi Civil Aircraft Company» (SCAC) informs that item 2 of AD№ 2019-FATA-01020A-06 include incorrect reference to one-time inspection of the bearings of RH and LH the Slat Section 1. Correct reference to required inspection of the bearings is AMM 57-42-00-220-802 item 4.B.(7).
4. **ACTION:** According to p.3 “DESCRIPTION”

APPROVED

**Deputy of Head Of CSC engineering
department**



Signature

M. Evteev

Name

«19» August 2019 г.

Дата

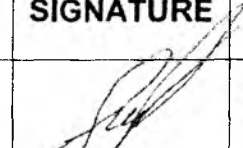
INFORMATION LETTER

Number: **00 -0913-19**

Revision: **00**

Date: **19.08.2019**

**Providing recommendations for the implementation of the ADN^o
2019-FATA-01020A-06**

POSITION	NAME	SIGNATURE	DATE
Engineer	V. Anpilov		19.08.2019

CUSTOMER SUPPORT CENTER

SCAC, RUSSIA, 115280, MOSCOW,
ST. LENINSKAYA SLOBODA. 26
TEL: (495) 727-19-88



INFORMATION LETTER
№57-0914-19 Rev.00

SUBJECT: Providing to the Operators of the AMM Task 57-42-00-220-802 "Detailed Inspection of the Slat Section 1 Tracks 1 and 2"

ATA: 57-00-00

AIRCRAFT TYPE: RRJ-95

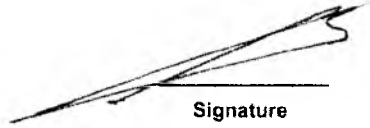
EFFECTIVITY: ALL

REFERENCES: N/A

1. **PURPOSE:** Providing to the Operator of the AMM Task 57-42-00-220-802.
2. **INTRODUCTION:** N/A
3. **DESCRIPTION:** The Type Certificate Holder (TCH) of RRJ-95, JSC «Sukhoi Civil Aircraft Company» (SCAC) provides to the Operators AMM Task 57-42-00-220-802. This task will be added in AMM Dec 31/19.
4. **ACTION:** According to p.3 "DESCRIPRION"
5. **ATTACHMENT:** AMM Task 57-42-00-220-802 – 6 pages

APPROVED

Head Of CSC engineering department



Signature

A. Neshcheret

Name

«6» August 2019 г.

Дата

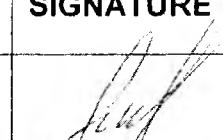
INFORMATION LETTER

Number: **57 -0914-19**

Revision: **00**

Date: **06.08.2019**

**Providing to the Operators of the AMM Task 57-42-00-220-802
“Detailed Inspection of the Slat Section 1 Tracks 1 and 2”**

POSITION	NAME	SIGNATURE	DATE
Engineer	V. Anpilov		06.08.2019

RRJ-95 AIRCRAFT MAINTENANCE MANUAL
SLAT SECTION 1 — INSPECTION/CHECK

***Paras 2, 3C(1): TEXT CORRECTIONS

***Figure 602: CHANGED

TASK 57-42-00-220-802
Detailed Inspection of the Slat Section 1 Tracks 1 and 2

 1. Reason for Job

Refer to the MPD Task: 574000ST-04

 2. Logistics

A. References

<u>Task</u>	<u>Title</u>
24-00-00-860-801	Opening and Closing of the Circuit Breakers
27-50-00-860-801	Extension of the Flaps and Slats on the Ground
27-50-00-860-802	Retraction of the Flaps and Slats on the Ground
57-00-00-920-801	Wings Maintenance and Safety Precautions
SRM	Structure Repair Manual

B. Tools and Ground Support Equipment

<u>Designation</u>	<u>Description</u>	<u>Quantity</u>
KI-20-002	Standard Aircraft Periodic Maintenance Tool Set	1
GE-06-002	Wing and Fuselage Platform	1
No specific	5x magnifier	1
No specific	Flashlight	1
No specific	Set of feelers	1
No specific	Maetal ruler 100 mm (3.93 in)	1
No specific	Varnier calliper	1
No specific	Warning tag	1

C. Ingredients and Consumable Products

<u>Designation</u>	<u>Description</u>	<u>Quantity</u>
NP-008	Cleaning rags	
ST-004	Petroleum solvent	

D. Access

521AB, 621AB
**** ON A/C 95074, 95076, 95078–UP**
521BB, 621BB, 521CB, 621CB

 3. Job Set-up

A. Safety Precautions

 (1) Obey the wing maintenance and safety precautions (*Ref. Task 57-00-00-920-801*).

B. Aircraft Maintenance Configuration

EFFECTIVITY: ALL

57-42-00

 220-802
 Page 601
 May 22/19

RRJ-95 AIRCRAFT MAINTENANCE MANUAL

- (1) Extend the slats fully (*Ref. Task 27-50-00-860-801*).
- (2) Attach the warning tag, which prohibits operation with the flaps/slats control system, on the flap/slat lever on the center pedestal in the flight compartment.
- (3) Open the circuit breakers specified below (*Ref. Task 24-00-00-860-801*):

Distribution box	C/B designation		Remarks
	on distribution box	on wiring diagram	
DB 115V N1	FLAP MACE1	F5-28	
DB 115V N1	SLAT MACE1	F5-29	
DB 115V N2	FLAP MACE2	F6-29	
DB 115V N2	SLAT MACE2	F6-30	

- (4) Attach the warning tag, which prohibits closing of the circuit breakers.

C. Access

- (1) Put the **GE-06-002** platform in position.

** ON A/C 95007–95073, 95077

- (2) Remove **521AB**, **621AB** access panels.

** ON A/C 95074, 95076, 95078–UP

- (3) Remove **521AB**, **621AB**, **521BB**, **621BB**, **521CB**, **621CB** access panels.

4. Procedure

A. (Ref. Fig. 601)

Preparation for Inspection

WARNING: USE THE SOLUTIONS, CLEANING AGENTS, SEALING COMPOUNDS AND OTHER SPECIAL MATERIALS ONLY WITH SUFFICIENT AIR VENTILATION. OBEY INSTRUCTIONS OF THE MANUFACTURER. THESE MATERIALS ARE TOXIC, FLAMMABLE AND IRRITATE THE SKIN. IN CASE OF SKIN OR EYES IRRITATION, CONSULT A DOCTOR.

- (1) If required, clean the inspected surface by the **NP-008** cleaning rags wetted with **ST-004** solvent.

B. Detailed Inspection of the Slat Section 1 Tracks 1 and 2

- (1) Inspect the tracks (1). Make sure that there are no mechanical damages (nicks, chips, scratches), attritions, cracks and residual deformations. During inspection pay special attention to the working surfaces of the tracks flanges.

NOTE: Permitted wear of the working surfaces of the track flanges under the bearing and support rollers in the form of the smooth groove is not more than 0.2 mm (0.008 in). Permitted wear of the working surfaces of the tracks under the bearing and support rollers in the places, which correspond to the extended and retracted position of the slat, is not more than 0.3 mm (0.01 in). Do the measurement with the set of feelers 0.05 mm (0.002 in) – 0.3 mm (0.01 in) and the metallic ruler [length is not more than 100 mm (3.93 in)] on the upper and lower track flanges. Measure the gap between the edge of the metal ruler and the wear on the track surface. Measure the gaps only in the front part of the track in about 20 mm (0.78 in) distance from the contact point of the front lower support rollers. Apply a ruler across the working surface of the track perpendicular to its surface (ref. *Fig. 602*).

EFFECTIVITY: ALL

57-42-00

220-802
 Page 602
 May 22/19

RRJ-95 AIRCRAFT MAINTENANCE MANUAL

- (2) Inspect the links of the tracks (2). Make sure that there are no mechanical damages (nicks, chips, scratches), attritions, cracks and residual deformations.

NOTE: If any defects are detected, eliminate them, Ref. SRM.

- (3) Inspect the hold-downs (3). Make sure that there are no mechanical damages (nicks, chips, scratches, cracks). Make sure that the attachment nut (4) of the hold-down is not loose.

NOTE: If any defects are detected, eliminate them, Ref. SRM.

- (4) Inspect the stop (5) installed on the track 1. Make sure that there are no mechanical damages (nicks, chips, scratches, cracks). Make sure that the stop attachment to the track is not loose.

NOTE: If any defects are detected, eliminate them, Ref. SRM.

- (5) Make sure that there are no corrosion damages and defects of the paint coating on the surface of the tracks (1), links (2), hold-downs (3), stop (5).

- (6) Inspect the visible parts of the bolted and riveted joints. Make sure that they are not loose, are locked with cotter pins, have no corrosion damages and defects of the paint coating.

- (7) Inspect the bearings (6).

NOTES: 1. One crack is allowed on the inner hoop of the bearing.
2. Destruction of the bearing (the presence of two or more cracks on the inner hoop of bearing is regarded as destruction) and its pressing-out are not permitted.

5. Job Close-up

A. Close Access

- (1) Clean the work area, make sure that there are no foreign objects.

** ON A/C 95007–95073, 95077

- (2) Install 521AB, 621AB access panels.

** ON A/C 95074, 95076, 95078–UP

- (3) Install 521AB, 621AB, 521BB, 621BB, 521CB, 621CB access panels.

- (4) Remove the access platform.

B. Return of the Aircraft to the Initial Configuration

- (1) Remove the Warning tag from the flap/slat lever on the central pedestal in the flight compartment.

- (2) Remove the warning tag and close the circuit breakers (*Ref. Task 24-00-00-860-801*):

FLAP MACE1,
FLAP MACE2,
SLAT MACE1,
SLAT MACE2.

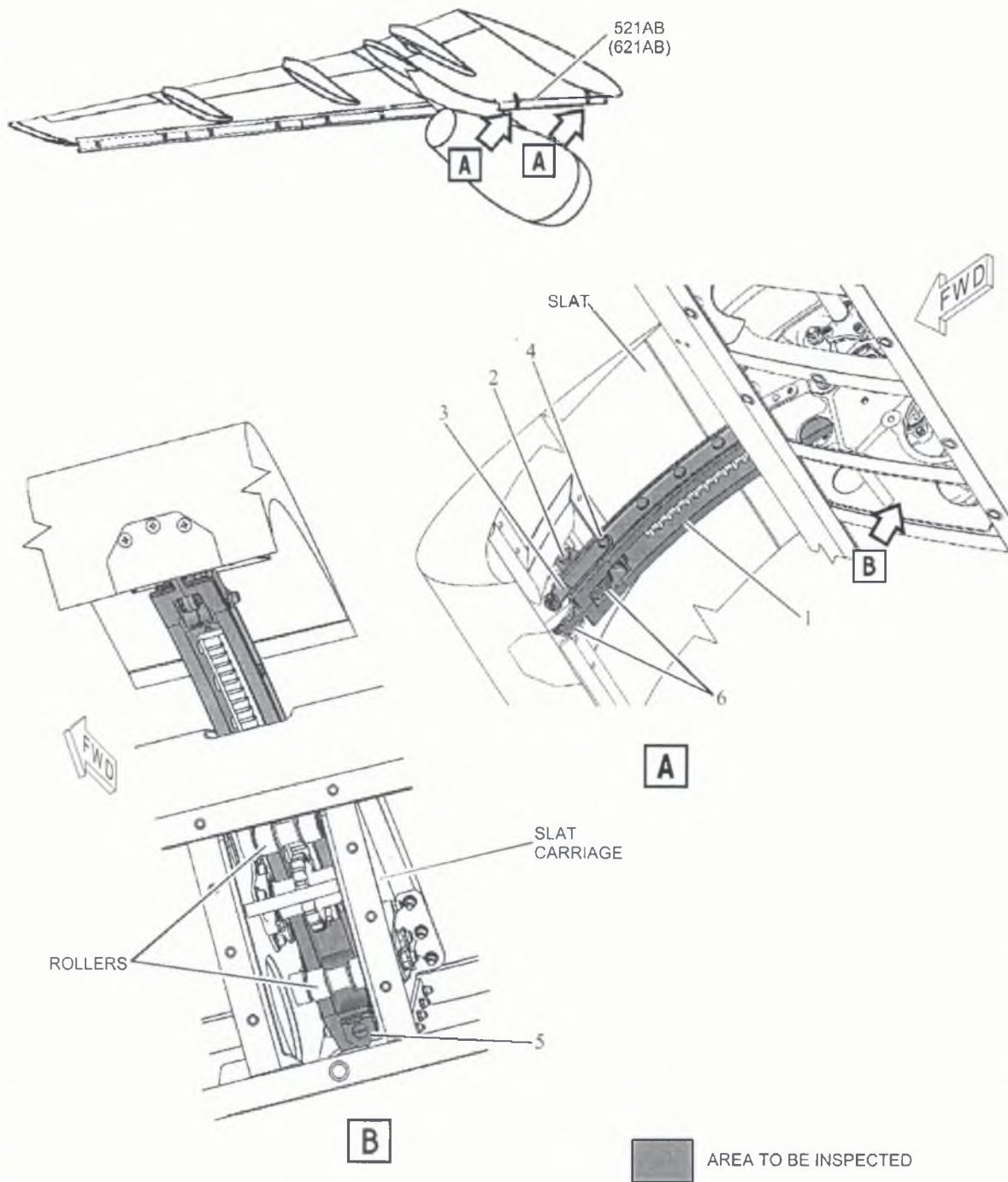
- (3) Retract the slats fully (*Ref. Task 27-50-00-860-802*).

EFFECTIVITY: ALL

57-42-00

220-802
Page 603
May 22/19

RRJ-95 AIRCRAFT MAINTENANCE MANUAL



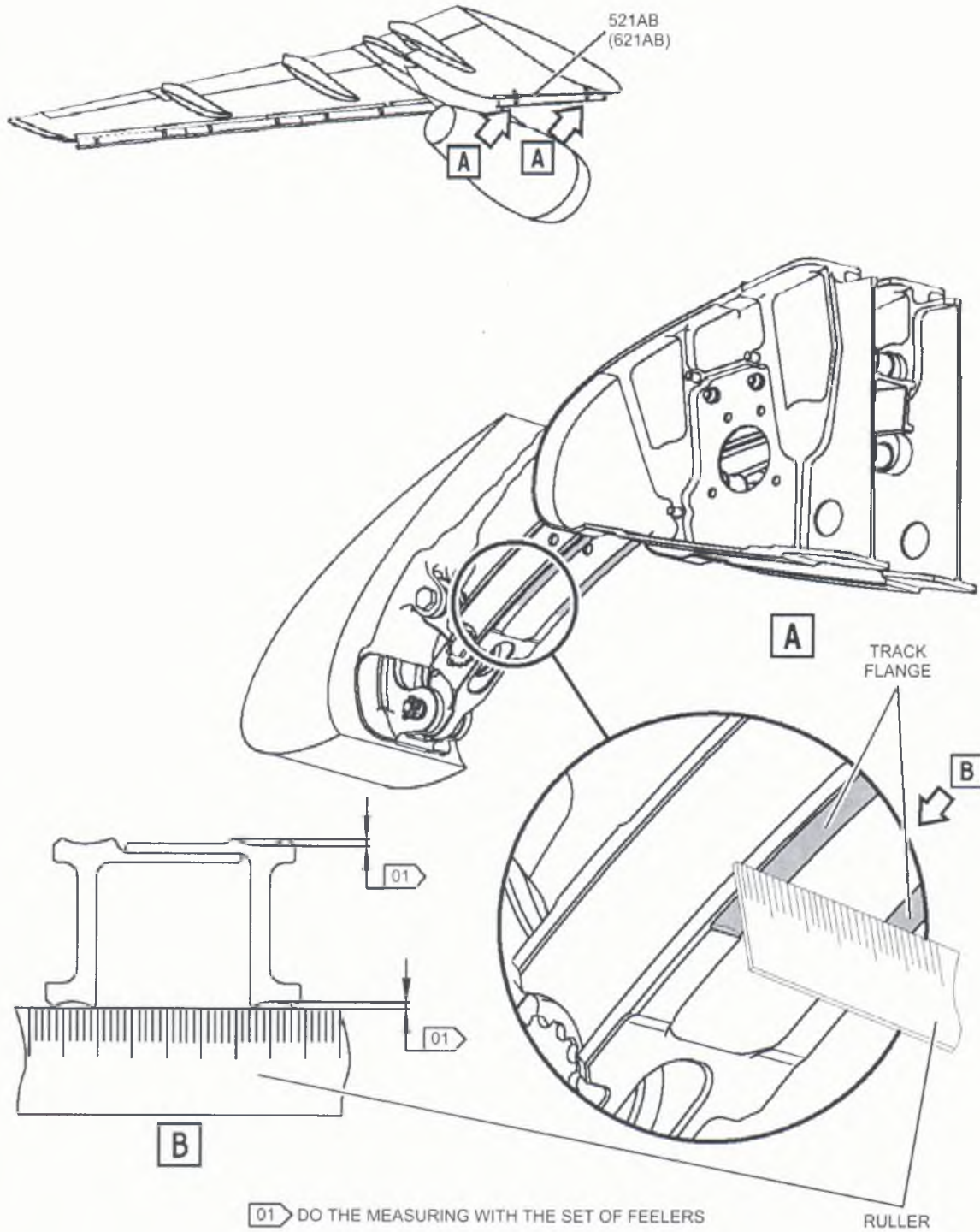
ITK_RRJ_AMM_57_42_00_220_802_001_A01_E

Detailed Inspection of the Slat Section 1 Tracks 1 and 2
Figure 601

EFFECTIVITY: ALL

57-42-00

220-802
Page 604
May 22/19



ITK_RRJ_AMM_57_42_00_220_802_002_E

Measuring of the track wear
Figure 602

EFFECTIVITY: ALL

57-42-00

220-802
Page 605
May 22/19



RRJ-95 AIRCRAFT MAINTENANCE MANUAL

INTENTIONALLY LEFT BLANK

EFFECTIVITY: ALL

SCAC proprietary — All rights reserved

57-42-00

220-802
Page 606
May 22/19

CUSTOMER SUPPORT CENTER

SCAC, RUSSIA, 115280, MOSCOW,
ST. LENINSKAYA SLOBODA, 26
TEL: (495) 727-19-88



INFORMATION LETTER **№57-0824-19 Rev.00**

SUBJECT: Providing to the Operators of the RRJ0000-OR-470-3399 and AMM Tasks 57-43-00-220-802, 57-44-00-220-802, 57-45-00-220-802

ATA: 57-00-00

AIRCRAFT TYPE: RRJ-95

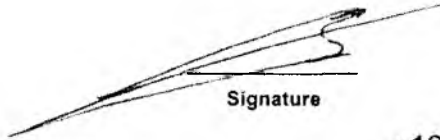
EFFECTIVITY: ALL

REFERENCES: N/A

1. **PURPOSE:** Providing to the Operators of the RRJ0000-OR-470-3399 and AMM Tasks 57-43-00-220-802, 57-44-00-220-802, 57-45-00-220-802.
2. **INTRODUCTION:** N/A
3. **DESCRIPTION:** The Type Certificate Holder (TCH) of RRJ-95. JSC «Sukhoi Civil Aircraft Company» (SCAC) provides to the Operators RRJ0000-OR-470-3399 and AMM Tasks 57-43-00-220-802, 57-44-00-220-802, 57-45-00-220-802.
4. **ACTION:** According to p.3 “DESCRIPRION”
5. **ATTACHMENT:** RRJ0000-OR-470-3399 and AMM Tasks 57-43-00-220-802, 57-44-00-220-802, 57-45-00-220-802 – 20 pages

APPROVED

Head Of CSC engineering department



Signature

A. Neshcheret

Name

«16» July 2019 г.

Дата


INFORMATION LETTER

Number: **57-0824-19**

Revision: **00**

Date: **16.07.2019**

**Providing to the Operators of the RRJ0000-OR-470-3399 and
AMM Tasks 57-43-00-220-802, 57-44-00-220-802, 57-45-00-220-
802**

POSITION	NAME	SIGNATURE	DATE
Engineer	V. Anpilov		16.07.2019

RRJ-95 AIRCRAFT MAINTENANCE MANUAL
SLAT SECTION 2 — INSPECTION/CHECK

***Figure 602: CHANGED
TASK 57-43-00-220-802

Detailed Inspection of the Slat Section 2 Tracks 3, 4, and 5
1. Reason for Job

Refer to the MPD Task: 574000ST-04

2. Logistics
A. References

<u>Task</u>	<u>Title</u>
24-00-00-860-801	Opening and Closing of the Circuit Breakers
27-50-00-860-801	Extension of the Flaps and Slats on the Ground
27-50-00-860-802	Retraction of the Flaps and Slats on the Ground
57-00-00-920-801	Wings Maintenance and Safety Precautions
SRM	Structure Repair Manual

B. Tools and Ground Support Equipment

<u>Designation</u>	<u>Description</u>	<u>Quantity</u>
KI-20-002	Standard Aircraft Periodic Maintenance Tool Set	1
GE-06-002	Wing and Fuselage Platform	1
No specific	5x magnifier	1
No specific	Flashlight	1
No specific	Set of feelers	1
No specific	Maetal ruler 100 mm (3.93 in)	1
No specific	Varnier calliper	1
No specific	Warning tag	1

C. Ingredients and Consumable Products

<u>Designation</u>	<u>Description</u>	<u>Quantity</u>
NP-008	Cleaning rags	
ST-004	Petroleum solvent	

D. Access

522AB, 622AB
 ** ON A/C 95074, 95076, 95078–UP
522BB, 622BB, 522CB, 622CB, 522DB, 622DB, 522EB, 622EB, 522FB, 622FB, 522GB, 622GB

3. Job Set-up
A. Safety Precautions

(1) Obey the wing maintenance and safety precautions (*Ref. Task 57-00-00-920-801*).

B. Aircraft Maintenance Configuration

(1) Extend the slats fully (*Ref. Task 27-50-00-860-801*).

EFFECTIVITY: ALL

57-43-00

220-802
 Page 601
 May 22/19

RRJ-95 AIRCRAFT MAINTENANCE MANUAL

- (2) Attach the warning tag, which prohibits operation with the flaps/slats control system, on the flap/slat lever on the center pedestal in the flight compartment.
- (3) Open the circuit breakers specified below (*Ref. Task 24-00-00-860-801*):

Distribution box	C/B designation		Remarks
	on distribution box	on wiring diagram	
DB 115V N1	FLAP MACE1	F5-28	
DB 115V N1	SLAT MACE1	F5-29	
DB 115V N2	FLAP MACE2	F6-29	
DB 115V N2	SLAT MACE2	F6-30	

- (4) Attach the warning tag, which prohibits closing of the circuit breakers.

C. Access

- (1) Put the **GE-06-002** platform in position. .
** ON A/C 95007–95073, 95077
- (2) Remove **522AB, 622AB** access panels.
** ON A/C 95074, 95076, 95078–UP
- (3) Remove **522AB, 622AB, 522BB, 622BB, 522CB, 622CB, 522DB, 622DB, 522EB, 622EB, 522FB, 622FB, 522GB, 622GB** access panels.

4. Procedure

A. (*Ref. Fig. 601*)

Preparation for Inspection

WARNING: USE THE SOLUTIONS, CLEANING AGENTS, SEALING COMPOUNDS AND OTHER SPECIAL MATERIALS ONLY WITH SUFFICIENT AIR VENTILATION. OBEY INSTRUCTIONS OF THE MANUFACTURER. THESE MATERIALS ARE TOXIC, FLAMMABLE AND IRRITATE THE SKIN. IN CASE OF SKIN OR EYES IRRITATION, CONSULT A DOCTOR.

- (1) If required, clean the inspected surface by the cleaning rags **NP-008** wetted with **ST-004** solvent.

B. Detailed Inspection of the Slat Section 2 Tracks 3, 4, and 5

- (1) Inspect the tracks **(1)**. Make sure that there are no mechanical damages (nicks, chips, scratches), attritions, cracks and residual deformations. During inspection pay special attention to the working surfaces of the tracks flanges.

NOTE: Permitted wear of the working surfaces of the track flanges under the bearing and support rollers in the form of the smooth groove is not more than 0.2 mm (0.008 in). Permitted wear of the working surfaces of the tracks under the bearing and support rollers in the places, which correspond to the extended and retracted position of the slat, is not more than 0.3 mm (0.01 in).

Do the measurement with the set of feelers 0.05 mm (0.002 in) – 0.3 mm (0.01 in) and the metallic ruler [length is not more than 100 mm (3.93 in)] on the upper and lower track flanges. Measure the gap between the edge of the metal ruler and the wear on the track surface.

Measure the gaps only in the front part of the track in about 20 mm (0.78 in) distance from the contact point of the front lower support rollers. Apply a ruler across the working surface of the track perpendicular to its surface (*ref. Fig. 602*).

- (2) Inspect the links of the tracks **(2)**. Make sure that there are no mechanical damages (nicks, chips, scratches), attritions, cracks and residual deformations.

EFFECTIVITY: ALL

57-43-00

220-802
Page 602
May 22/19

RRJ-95 AIRCRAFT MAINTENANCE MANUAL

NOTE: If any defects are detected, eliminate them, (*Ref. SRM*).

- (3) Inspect the stop (only on the track 4). Make sure that there are no mechanical damages (nicks, chips, scratches, cracks). Make sure that the stop attachment to the track is not loose.

NOTE: If any defects are detected, eliminate them, (*Ref. SRM*).

- (4) Make sure that there are no corrosion damages and defects of the paint coating on the surface of the tracks **(1)**, links **(2)** and stop.
- (5) Inspect the visible parts of the bolted and riveted joints. Make sure that they are not loose, are locked with cotter pins, have no corrosion damages and defects of the paint coating.
- (6) Inspect the bearings **(3)**.

NOTES: 1. One crack is allowed on the inner hoop of the bearing.
2. Destruction of the bearing (the presence of two or more cracks on the inner hoop of bearing is regarded as destruction) and its pressing-out are not permitted.

5. Job Close-up

A. Close Access

- (1) Clean the work area, make sure that there are no foreign objects.

**** ON A/C 95007–95073, 95077**

- (2) Install **522AB, 622AB** access panels.

**** ON A/C 95070–UP**

- (3) Install **522AB, 622AB, 522BB, 622BB, 522CB, 622CB, 522DB, 622DB, 522EB, 622EB, 522FB, 622FB, 522GB, 622GB** access panels.
- (4) Remove the access platform.

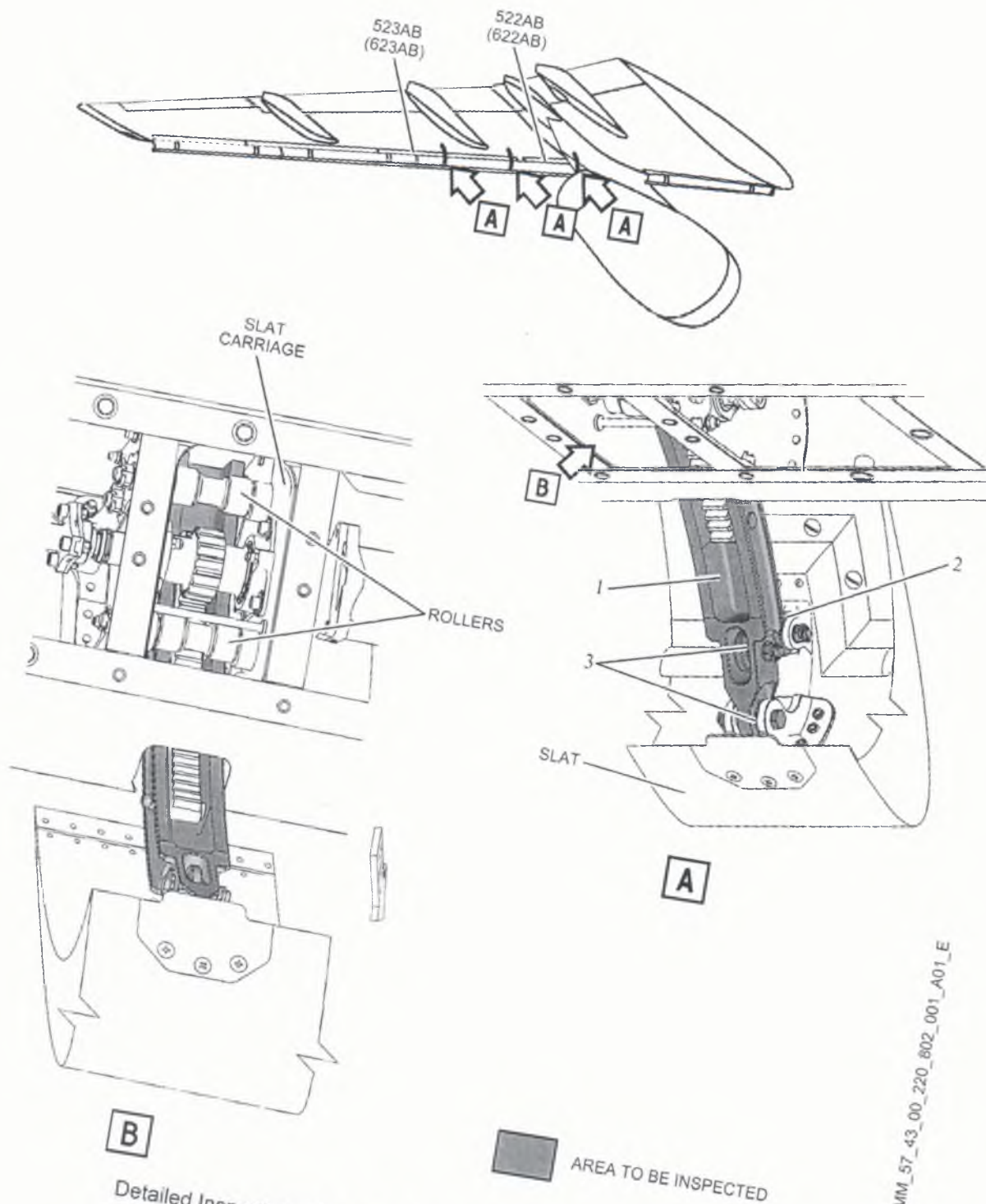
B. Return of the Aircraft to the Initial Configuration

- (1) Remove the warning tag from the flap/slat lever on the central pedestal in the flight compartment.
- (2) Remove the warning tag and close the circuit breakers (*Ref. Task 24-00-00-860-801*):
 - FLAP MACE1,
 - FLAP MACE2,
 - SLAT MACE1,
 - SLAT MACE2.
- (3) Retract the slats fully (*Ref. Task 27-50-00-860-802*).

EFFECTIVITY: ALL

57-43-00

220-802
Page 603
May 22/19



Detailed Inspection of the Slat Section 2 Tracks 3, 4, and 5
Figure 601

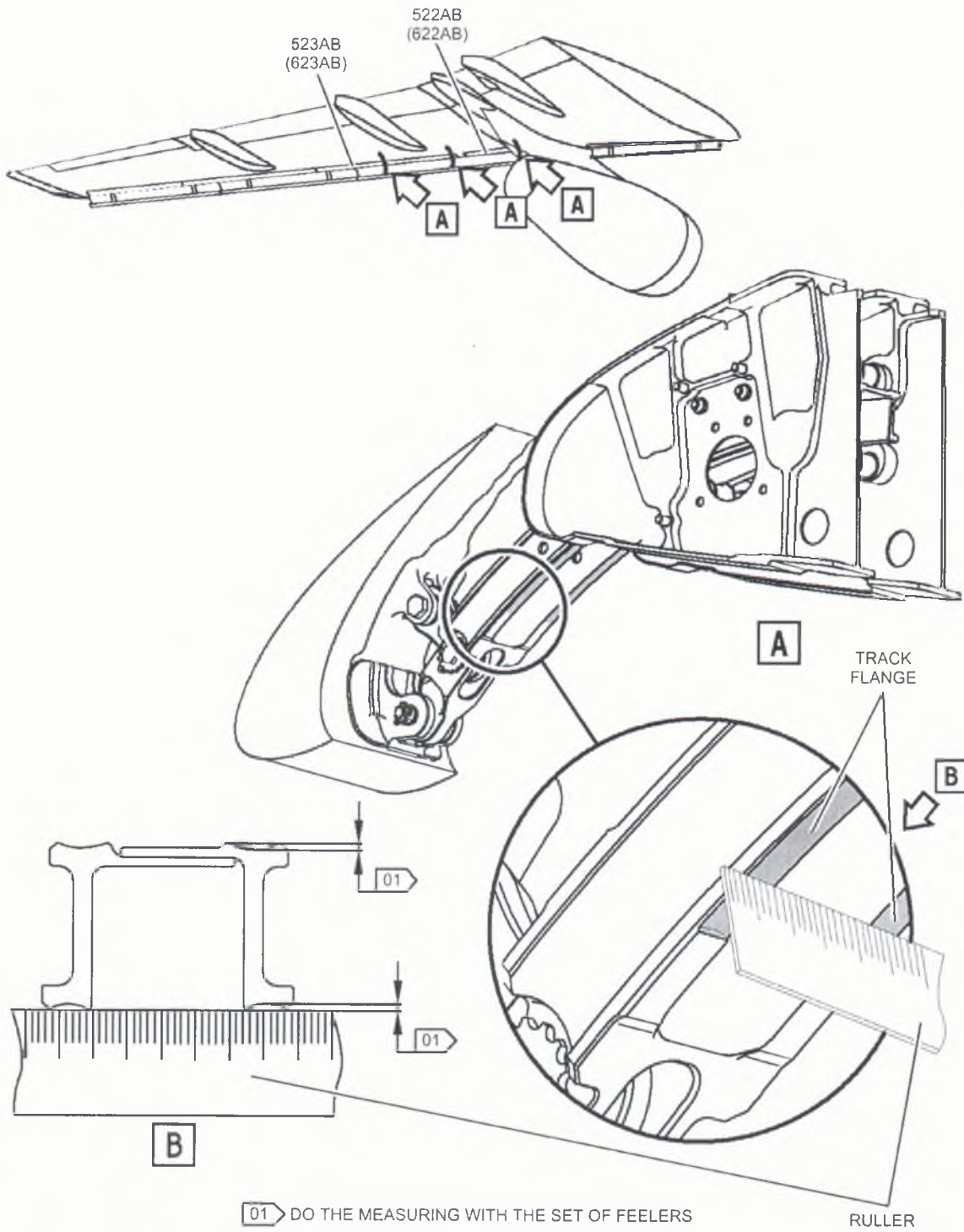
ITK_RRJ_AMM_57_43_00_220_802_001_A01_E

EFFECTIVITY: ALL

SCAC proprietary — All rights reserved

57-43-00 220-802
Page 604
May 22/19

RRJ-95 AIRCRAFT MAINTENANCE MANUAL



01 DO THE MEASURING WITH THE SET OF FEELERS

RULLER

Measuring of the track wear
Figure 602

ITK_RRJ_AMM_57_43_00_220_802_002_E

EFFECTIVITY: ALL

57-43-00

220-802
Page 605
May 22/19



RRJ-95 AIRCRAFT MAINTENANCE MANUAL

INTENTIONALLY LEFT BLANK

EFFECTIVITY: ALL

SCAC proprietary — All rights reserved

57-43-00

220-802
Page 606
May 22/19

RRJ-95 AIRCRAFT MAINTENANCE MANUAL

SLAT SECTION 3 — INSPECTION/CHECK

***Paras 2, 3C, 4B(1), 4B(6): CORRECTION/ADDITION/AMPLIFICATION

***Figure 602: CHANGED

TASK 57-44-00-220-802

Detailed Inspection of the Slat Section 3 Tracks 6 and 7

1. Reason for Job

Refer to the MPD Task: 574000ST-04

2. Logistics

A. References

<u>Task</u>	<u>Title</u>
24-00-00-860-801	Opening and Closing of the Circuit Breakers
27-50-00-860-801	Extension of the Flaps and Slats on the Ground
27-50-00-860-802	Retraction of the Flaps and Slats on the Ground
57-00-00-920-801	Wings Maintenance and Safety Precautions
SRM	Structure Repair Manual

B. Tools and Ground Support Equipment

<u>Designation</u>	<u>Description</u>	<u>Quantity</u>
KI-20-002	Standard Aircraft Periodic Maintenance Tool Set	1
GE-06-002	Wing and Fuselage Platform	1
No specific	5x magnifier	1
No specific	Flashlight	1
No specific	Set of feelers	1
No specific	Maetal ruler 100 mm (3.93 in)	1
No specific	Varnier calliper	1
No specific	Warning tag	1

C. Ingredients and Consumable Products

<u>Designation</u>	<u>Description</u>	<u>Quantity</u>
NP-008	Cleaning rags	
ST-004	Petroleum solvent	

D. Access

523AB, 623AB
 ** ON A/C 95074, 95076, 95078–UP
 523BB, 623BB, 623BB, 523CB, 623CB, 523DB, 623DB

3. Job Set-up

A. Safety Precautions

(1) Obey the wing maintenance and safety precautions (*Ref. Task 57-00-00-920-801*).

B. Aircraft Maintenance Configuration

EFFECTIVITY: ALL

57-44-00

220-802
 Page 601
 May 22/19

RRJ-95 AIRCRAFT MAINTENANCE MANUAL

- (1) Extend the slats fully (*Ref. Task 27-50-00-860-801*).
- (2) Attach the warning tag, which prohibits operation with the flaps/slats control system, on the flap/slat lever on the center pedestal in the flight compartment.
- (3) Open the circuit breakers specified below (*Ref. Task 24-00-00-860-801*):

Distribution box	C/B designation		Remarks
	on distribution box	on wiring diagram	
DB 115V N1	FLAP MACE1	F5-28	
DB 115V N1	SLAT MACE1	F5-29	
DB 115V N2	FLAP MACE2	F6-29	
DB 115V N2	SLAT MACE2	F6-30	

- (4) Attach the warning tag, which prohibits closing of the circuit breakers.

C. Access

- (1) Put the platform in position.
** ON A/C 95007–95073, 95077
- (2) Remove **523AB, 623AB** access panels.
** ON A/C 95074, 95076, 95078–UP
- (3) Remove **523AB, 623AB, 523BB, 623BB, 623BB, 523CB, 623CB, 523DB, 623DB** access panels.

4. Procedure

A. (Ref. Fig. 601)

Preparation for Inspection

WARNING: USE THE SOLUTIONS, CLEANING AGENTS, SEALING COMPOUNDS AND OTHER SPECIAL MATERIALS ONLY WITH SUFFICIENT AIR VENTILATION. OBEY INSTRUCTIONS OF THE MANUFACTURER. THESE MATERIALS ARE TOXIC, FLAMMABLE AND IRRITATE THE SKIN. IN CASE OF SKIN OR EYES IRRITATION, CONSULT A DOCTOR.

- (1) If required, clean the inspected surface by the cleaning rags **NP-008** wetted with **ST-004** solvent.

B. Detailed Inspection of the Slat Section 3 Tracks 6 and 7

- (1) Inspect the tracks (**1**). Make sure that there are no mechanical damages (nicks, chips, scratches), attritions, cracks and residual deformations. During inspection pay special attention to the working surfaces of the tracks flanges.

NOTE: Permitted wear of the working surfaces of the track flanges under the bearing and support rollers in the form of the smooth groove is not more than 0.2 mm (0.008 in). Permitted wear of the working surfaces of the tracks under the bearing and support rollers in the places, which correspond to the extended and retracted position of the slat, is not more than 0.3 mm (0.01 in).

Do the measurement with the set of feelers 0.05 mm (0.002 in) – 0.3 mm (0.01 in) and the metallic ruler [length is not more than 100 mm (3.93 in)] on the upper and lower track flanges. Measure the gap between the edge of the metal ruler and the wear on the track surface.

Measure the gaps only in the front part of the track in about 20 mm (0.78 in) distance from the contact point of the front lower support rollers Apply a ruler across the working surface of the track perpendicular to its surface (*ref. Fig. 602*).

EFFECTIVITY: ALL

57-44-00

220-802
Page 602
May 22/19

RRJ-95 AIRCRAFT MAINTENANCE MANUAL

- (2) Inspect the links of the tracks (2). Make sure that there are no mechanical damages (nicks, chips, scratches), attritions, cracks and residual deformations.

NOTE: If any defects are detected, eliminate them, (*Ref. SRM*).

- (3) Inspect the stop (4) installed on the track 6. Make sure that there are no mechanical damages (nicks, chips, scratches, cracks). Make sure that the stop attachment to the track is not loose.

NOTE: If any defects are detected, eliminate them, (*Ref. SRM*).

- (4) Make sure that there are no corrosion damages and defects of the paint coating on the surface of the tracks (1), links (2) and stop.
- (5) Inspect the visible parts of the bolted and riveted joints. Make sure that they are not loose, are locked with cotter pins, have no corrosion damages and defects of the paint coating.
- (6) Inspect the bearings (3).

NOTES: 1. One crack is allowed on the inner hoop of the bearing.
2. Destruction of the bearing (the presence of two or more cracks on the inner hoop of bearing is regarded as destruction) and its pressing-out are not permitted.

5. Job Close-up

A. Close Access

- (1) Clean the work area, make sure that there are no foreign objects.

** ON A/C 95007–95073, 95077

- (2) Install **523AB**, **623AB** access panels.

** ON A/C 95074, 95076, 95078–UP

- (3) Install **523AB**, **623AB**, **523BB**, **623BB**, **623BB**, **523CB**, **623CB**, **523DB**, **623DB** access panels.

- (4) Remove the access platform.

B. Return of the Aircraft to the Initial Configuration

- (1) Remove the warning tag from the flap/slat lever on the central pedestal in the flight compartment.
- (2) Remove the warning tag and close the circuit breakers (*Ref. Task 24-00-00-860-801*):

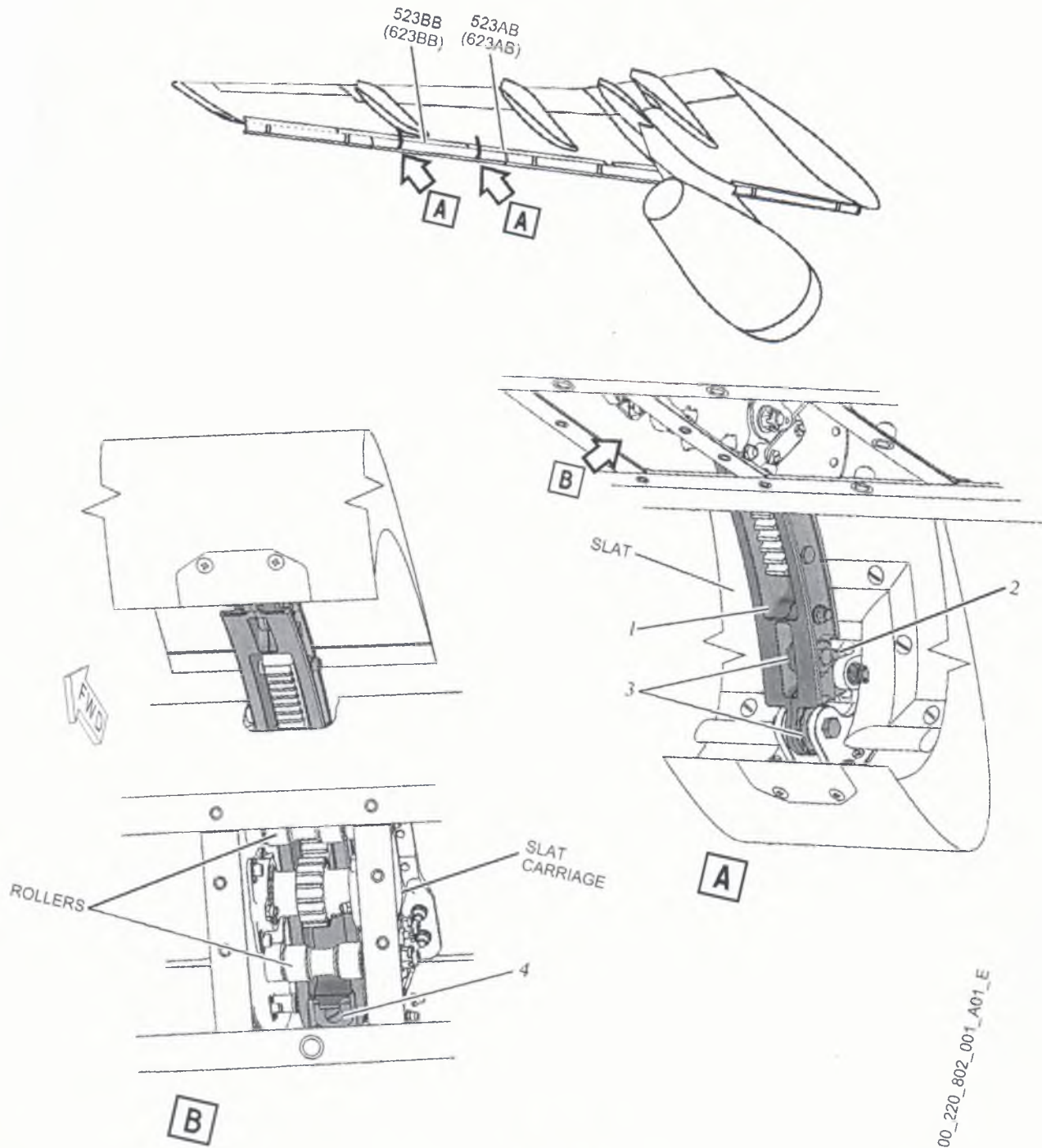
FLAP MACE1,
FLAP MACE2,
SLAT MACE1,
SLAT MACE2.

- (3) Retract the slats fully (*Ref. Task 27-50-00-860-802*).



SUKHOI
CIVIL AIRCRAFT

RRJ-95 AIRCRAFT MAINTENANCE MANUAL



Detailed Inspection of the Slat Section 3 Tracks 6 and 7
Figure 601



AREA TO BE INSPECTED

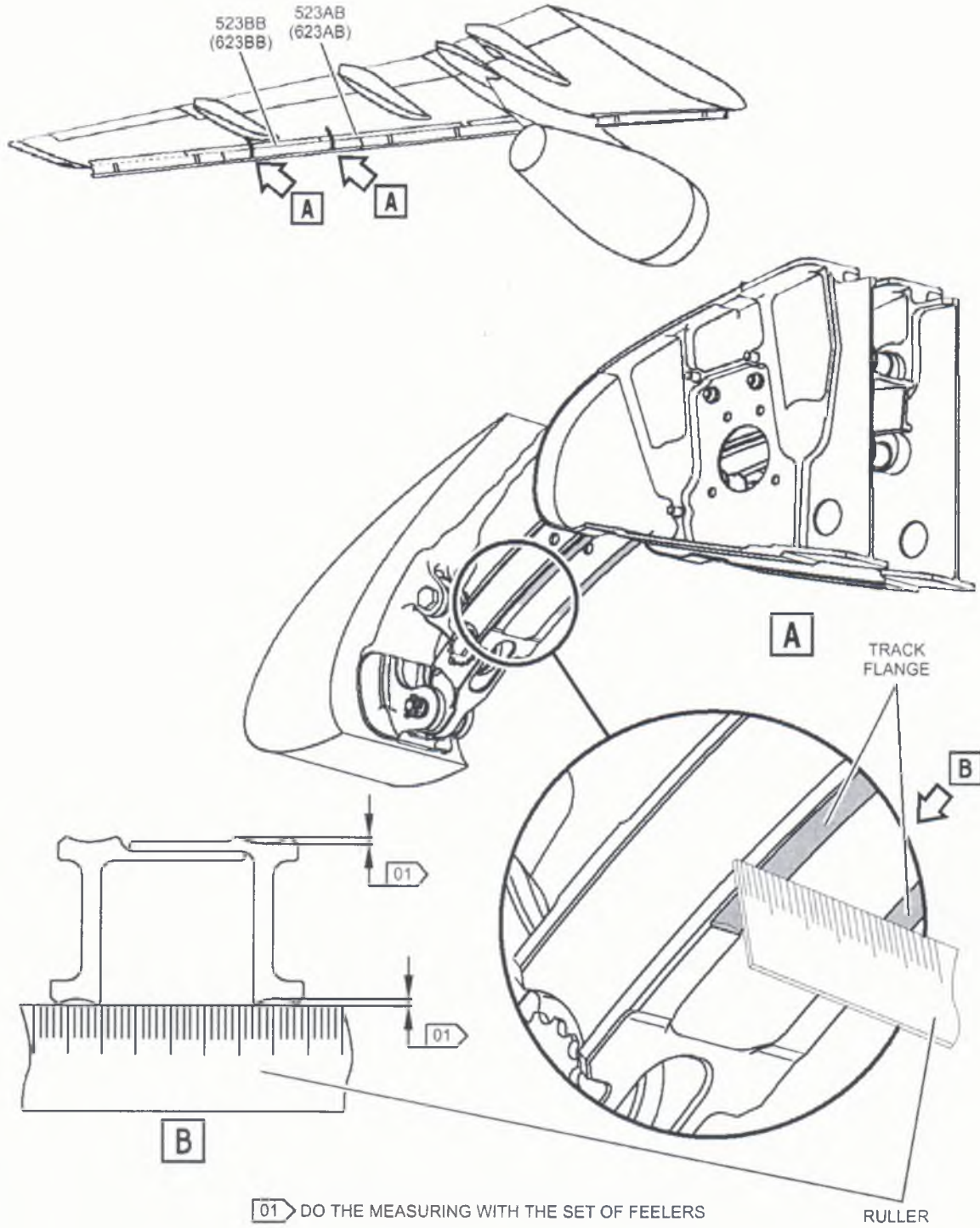
ITK_RRJ_AMM_57_44_00_220_802_001_A01_E

EFFECTIVITY: ALL

SCAC proprietary — All rights reserved

57-44-00

220-802
Page 604
May 22/19



ITK_RR_J_AMM_57_44_00_220_802_002_E

Measuring of the track wear
Figure 602

EFFECTIVITY: ALL

57-44-00

220-802
Page 605
May 22/19



RRJ-95 AIRCRAFT MAINTENANCE MANUAL

INTENTIONALLY LEFT BLANK

EFFECTIVITY: ALL

SCAC proprietary — All rights reserved

57-44-00

220-802
Page 606
May 22/19

RRJ-95 AIRCRAFT MAINTENANCE MANUAL

SLAT SECTION 4 — INSPECTION/CHECK

***Paras 2, 4B(1): CORRECTION/ADDITION/AMPLIFICATION

***Paras 5A(2), 5A(3): TEXT CORRECTIONS

***Figure 602: CHANGED

TASK 57-45-00-220-802

Detailed Inspection of the Slat Section 4 Tracks 8 and 9

1. Reason for Job

Refer to the MPD Task: 574000ST-04

2. Logistics

A. References

<u>Task</u>	<u>Title</u>
24-00-00-860-801	Opening and Closing of the Circuit Breakers
27-50-00-860-801	Extension of the Flaps and Slats on the Ground
27-50-00-860-802	Retraction of the Flaps and Slats on the Ground
57-00-00-920-801	Wings Maintenance and Safety Precautions
SRM	Structure Repair Manual

B. Tools and Ground Support Equipment

<u>Designation</u>	<u>Description</u>	<u>Quantity</u>
KI-20-002	Standard Aircraft Periodic Maintenance Tool Set	1
GE-06-002	Wing and Fuselage Platform	1
No specific	5x magnifier	1
No specific	Flashlight	1
No specific	Set of feelers	1
No specific	Maetal ruler 100 mm (3.93 in)	1
No specific	Varnier calliper	1
No specific	Warning tag	1

C. Ingredients and Consumable Products

<u>Designation</u>	<u>Description</u>	<u>Quantity</u>
ST-004	Petroleum solvent	
NP-008	Cleaning rags	

D. Access

524AB, 624AB

** ON A/C 95074, 95076, 95078-UP

524BB, 624BB, 524CB, 624CB

3. Job Set-Up

A. Safety Precautions

(1) Obey the wing maintenance and safety precautions (*Ref. Task 57-00-00-920-801*).

B. Aircraft Maintenance Configuration

EFFECTIVITY: ALL

57-45-00

220-802
 Page 601
 May 22/19

RRJ-95 AIRCRAFT MAINTENANCE MANUAL

- (1) Extend the slats fully (*Ref. Task 27-50-00-860-801*).
- (2) Attach the warning tag, which prohibits operation with the flaps/slats control system, on the flap/slat lever on the center pedestal in the flight compartment.
- (3) Open the circuit breakers specified below (*Ref. Task 24-00-00-860-801*):

Distribution box	C/B designation		Remarks
	on distribution box	on wiring diagram	
DB 115V N1	FLAP MACE1	F5-28	
DB 115V N1	SLAT MACE1	F5-29	
DB 115V N2	FLAP MACE2	F6-29	
DB 115V N2	SLAT MACE2	F6-30	

- (4) Attach the warning tag, which prohibits closing of the circuit breakers.

C. Access

- (1) Install the **GE-06-002** access platform in the work area.
**** ON A/C 95007-95073, 95077**
- (2) Remove the access panels: **524AB, 624AB**.
**** ON A/C 95074, 95076, 95078-UP**
- (3) Remove the access panels: **524AB, 624AB, 524BB, 624BB, 524CB, 624CB**.

4. Procedure

A. (*Ref. Fig. 601*)

Preparation for Inspection

WARNING: USE THE SOLUTIONS, CLEANING AGENTS, SEALING COMPOUNDS AND OTHER SPECIAL MATERIALS ONLY WITH SUFFICIENT AIR VENTILATION. OBEY INSTRUCTIONS OF THE MANUFACTURER. THESE MATERIALS ARE TOXIC, FLAMMABLE AND IRRITATE THE SKIN. IN CASE OF SKIN OR EYES IRRITATION, CONSULT A DOCTOR.

- (1) If required, clean the inspected surface by the **NP-008** cleaning rags wetted with **ST-004** solvent.

B. Detailed Inspection of the Slat Section 4 Tracks 8 and 9

- (1) Inspect the tracks **(1)**. Make sure that there are no mechanical damages (nicks, chips, scratches), attritions, cracks and residual deformations. During inspection pay special attention to the working surfaces of the tracks flanges.

NOTE: Permitted wear of the working surfaces of the track flanges under the bearing and support rollers in the form of the smooth groove is not more than 0.2 mm (0.008 in). Permitted wear of the working surfaces of the tracks under the bearing and support rollers in the places, which correspond to the extended and retracted position of the slat, is not more than 0.3 mm (0.01 in). Do the measurement with the set of feelers 0.05 mm (0.002 in) – 0.3 mm (0.01 in) and the metallic ruler [length is not more than 100 mm (3.93 in)] on the upper and lower track flanges. Measure the gap between the edge of the metal ruler and the wear on the track surface. Measure the gaps only in the front part of the track in about 20 mm (0.78 in) distance from the contact point of the front lower support rollers. Apply a ruler across the working surface of the track perpendicular to its surface (*ref. Fig. 602*).

- (2) Inspect the links of the tracks **(2)**. Make sure that there are no mechanical damages (nicks, chips, scratches), attritions, cracks and residual deformations.

EFFECTIVITY: ALL

57-45-00

220-802
 Page 602
 May 22/19

RRJ-95 AIRCRAFT MAINTENANCE MANUAL

NOTE: If any defects are detected, eliminate them, (*Ref. SRM*).

- (3) Inspect the stop **(4)** installed on the track 8. Make sure that there are no mechanical damages (nicks, chips, scratches, cracks). Make sure that the stop attachment to the track is not loose.

NOTE: If any defects are detected, eliminate them, (*Ref. SRM*).

- (4) Make sure that there are no corrosion damages and defects of the paint coating on the surface of the tracks **(1)**, links **(2)** and stop **(4)**.
- (5) Inspect the visible parts of the bolted and riveted joints. Make sure that they are not loose, are locked with cotter pins, have no corrosion damages and defects of the paint coating.
- (6) Inspect the bearings **(3)**.

NOTES: 1. One crack is allowed on the inner hoop of the bearing.
2. Destruction of the bearing (the presence of two or more cracks on the inner hoop of bearing is regarded as destruction) and its pressing-out are not permitted.

5. Job Close-Up

A. Close Access

- (1) Clean the work area, make sure that there are no foreign objects.

** ON A/C 95007–95073, 95077

- (2) Install **524AB**, **624AB** access panels.

** ON A/C 95074, 95076, 95078–UP

- (3) Install **524AB**, **624AB**, **524BB**, **624BB**, **524CB**, **624CB** access panels.

- (4) Remove the access platform.

B. Return of the Aircraft to the Initial Configuration

- (1) Remove the warning tag from the flap/slat lever on the central pedestal in the flight compartment.
- (2) Remove the warning tag and close the circuit breakers (*Ref. Task 24-00-00-860-801*):

FLAP MACE1,
FLAP MACE2,
SLAT MACE1,
SLAT MACE2.

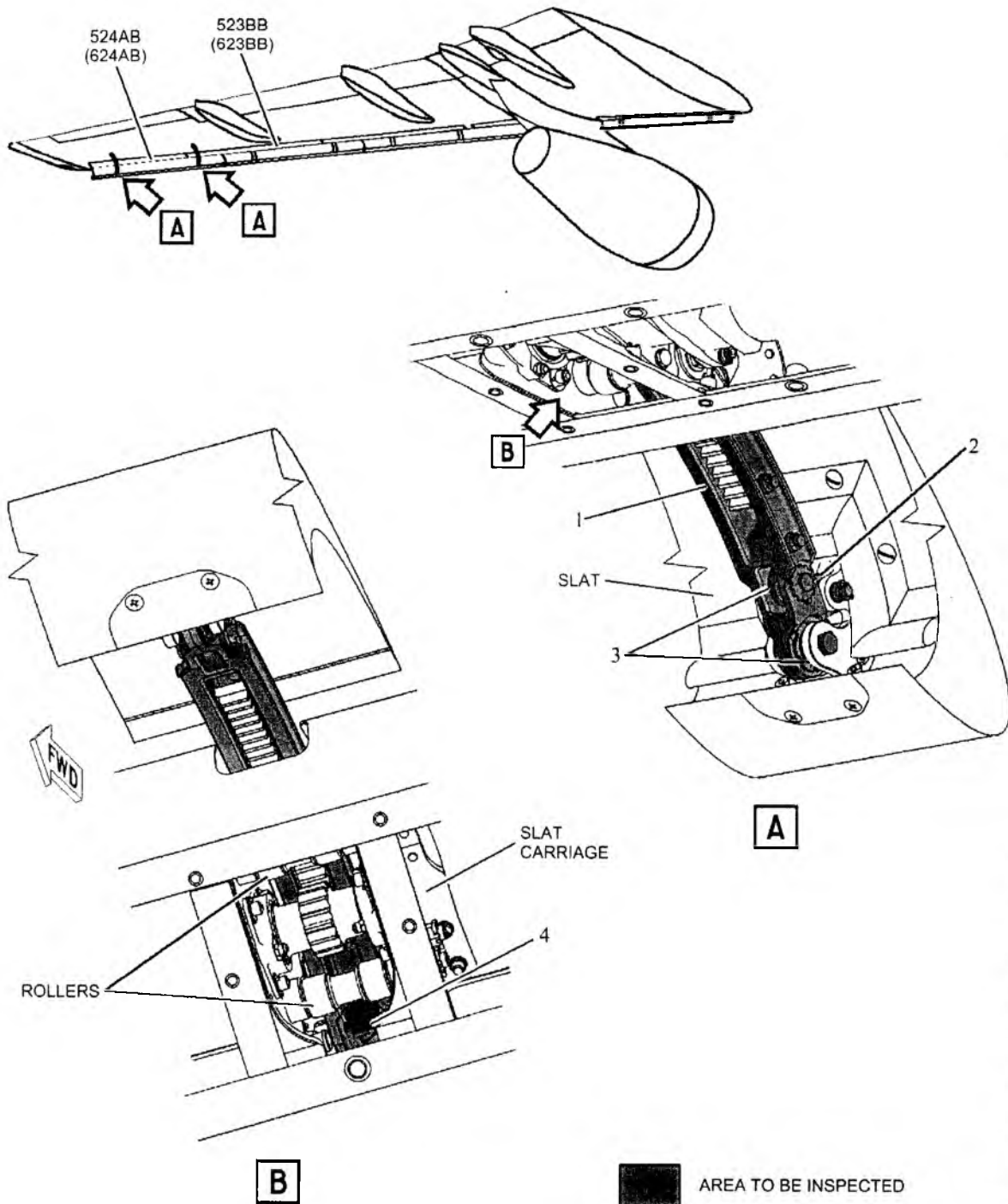
- (3) Retract the slats fully (*Ref. Task 27-50-00-860-802*).

EFFECTIVITY: ALL

57-45-00

220-802
Page 603
May 22/19

RRJ-95 AIRCRAFT MAINTENANCE MANUAL



ITK_RRJ_AMM_57_45_00_220_802_001_A01_E

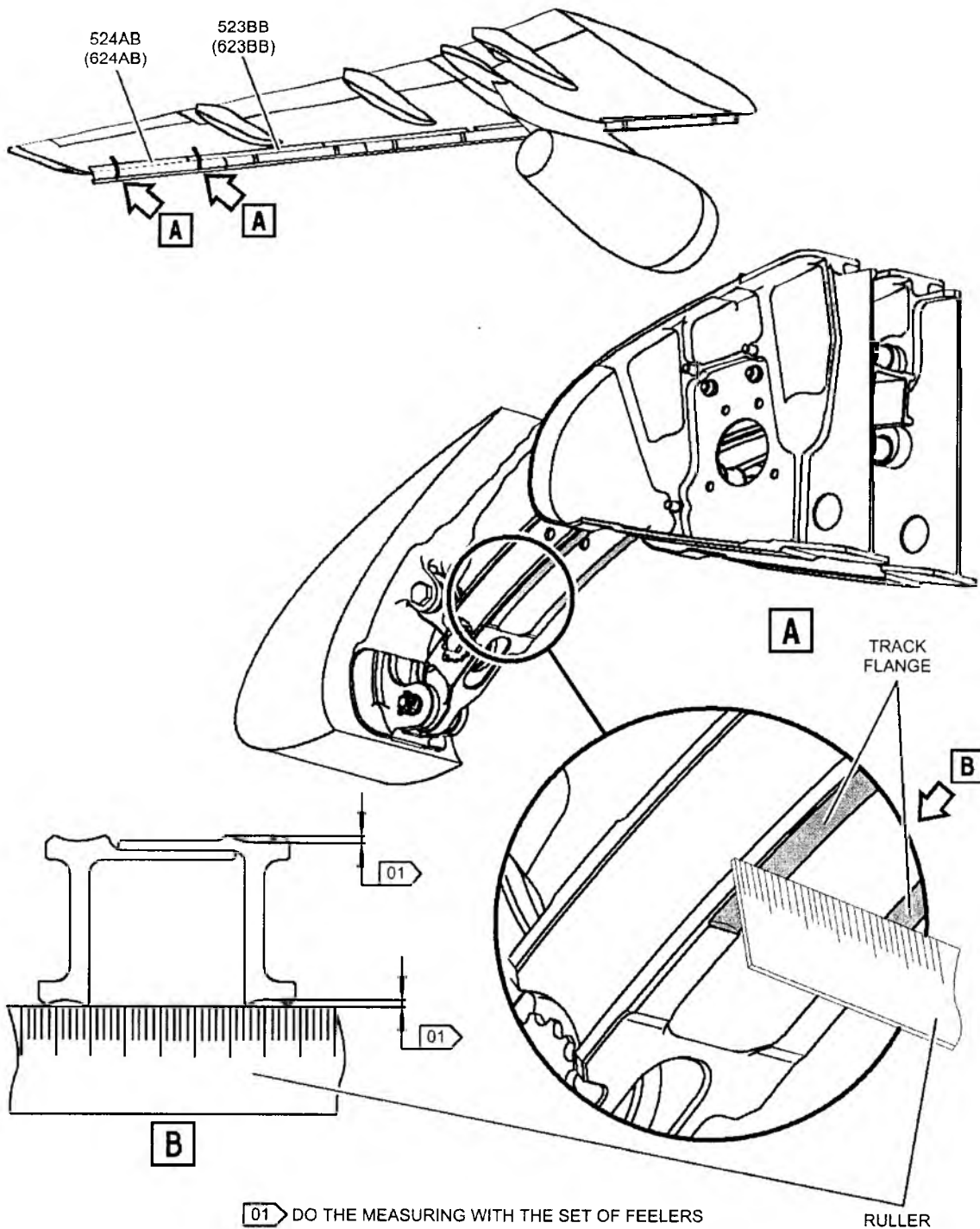
Detailed Inspection of the Slat Section 4 Tracks 8 and 9
Figure 601

EFFECTIVITY: ALL

57-45-00

220-802
Page 604
May 22/19

RRJ-95 AIRCRAFT MAINTENANCE MANUAL



ITK_RRJ_AMM_57_45_00_220_802_002_E

Measuring of the track wear
Figure 602

EFFECTIVITY: ALL

57-45-00

220-802
Page 605
May 22/19



RRJ-95 AIRCRAFT MAINTENANCE MANUAL

INTENTIONALLY LEFT BLANK

EFFECTIVITY: ALL

SCAC proprietary — All rights reserved

57-45-00

220-802
Page 606
May 22/19