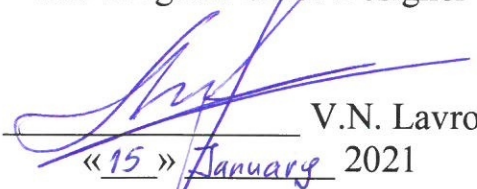


«APPROVED»
SSJ Program Chief Designer


V.N. Lavrov
«15» January 2021

TECHNICAL DECISION RRJ0000-OR-470-4950/A

on continued airworthiness of aeroplane RRJ-95
with deactivated EPAS system of entrance/service doors in automatic mode

During the current aeroplane operation with implemented Airworthiness Directive №2020-FATA-01020A-04, the cases of incorrect slide operation during scheduled maintenance while opening the doors manually with the snubber non operative were detected. Based upon the results of investigation, it is defined a need to amend door opening procedure in case of slide emergency extension with the installation of additional placards instructing the correct opening procedure.

The following decision is taken for Continued Airworthiness of Aeroplane RRJ-95

DECISION:

1. During nearest WY Check (8 days) on aeroplane RRJ-95 with door arms p/n A415406-001 Rev.E, A415406-003 Rev.E, A415406-005 Rev.E and A415406-006 Rev.E or having together door arms p/n A415406-001 Rev.E, A415406-003 Rev.E, A415406-005 Rev.E, A415406-006 Rev.E and A415406-001 Rev.F, A415406-003 Rev.F, A415406-005 Rev.F, A415406-006 Rev.F to perform the following requirements to have an aeroplane in configuration «Door opens manually» in case of emergency door opening:

1.1) On door arms p/n A415406-001 Rev.E, A415406-003 Rev.E, A415406-005 Rev.E and A415406-006 Rev.E:

- To relief pressure from EPAS bottles p/n 41004658-1, 41004658-2 in accordance with AMM task 12-15-52-860-801 «Nitrogen pressure relief from the door emergency power assistant system bottle»;
- To install new and shift earlier installed placards: on front passenger door (see Fig. 1, Fig. 4, Fig. 5) front service door (see Fig. 2, Fig. 4, Fig. 5), aft passenger and service doors (see Fig. 3, Fig. 4, Fig. 5) in accordance with AMM task 11-00-00-900-801 «Installation and removal of inscriptions».

NOTE:

The installation of the placard p/n T7.7513.199.002 «DOOR OPENS MANUALLY» is mandatory requirement of Airworthiness Directive №2020-FATA-01020A-04.

1.2) On door arms p/n A415406-001 Rev.F, A415406-003 Rev.F A415406-005 Rev.F and A415406-006 Rev.F:

- To remove EPAS bottles p/n A415407-055, A415407-056 assembled with burst discs according to p.4.B.(1)-(7) of AMM task 52-11-25-900-801

«Removal/Installation of the emergency power assist system bottle of the forward (aft) entry door» (1-VM527, 2-VM527)», 52-12-25-900-801 «Removal/Installation of the Emergency Power assist system bottle of the forward (aft) service door (3-VM527, 4-VM527)»;

- To install new and shift earlier installed placards: on front passenger door (see Fig.1, Fig.4, Fig.5), on front service door (see Fig.2, Fig.4, Fig.5), on aft passenger and service doors (see Fig.3, Fig.4, Fig.5) in accordance with AMM task 11-00-00-900-801 «Installation and removal of inscriptions».

1.3) After the removal of EPAS bottles p/n A415407-055, A415407-056 assembled with burst discs, to install bottles clamps and burst discs mechanisms as well as to fix the pipelines 6 and 10 (see AMM tasks 52-11-25-900-801 and 52-12-25-900-801) on the door arms p/n A415406-001 Rev.F, A415406-003 Rev.F A415406-005 Rev.F and A415406-006 Rev.F.

1.4) To ensure the storage of the removed EPAS bottles p/n A415407-055, A415407-056 assembled with burst discs for the further installation while implementing SB RRJ-52-00485- БД «Doors, hatches, access doors – Passenger and crew doors – Replacement of EPAS».

2. Upon the fulfilling of paragraph 1 to open entrance and service doors manually with emergency slide extension in accordance with AMM task 52-10-00-010-802 «Opening of entrance and service doors in manual or automatic modes with emergency slide extension» and Chapters 03.60 and 10.30 Cabin Crew Operational Manual (CCOM) accordingly.
3. To continue aeroplane standard operation in accordance with this Technical Decision till SB implementation RRJ-52-00485-БД «Doors, hatches, access doors– Passenger and crew doors– Replacement of EPAS » but no later than 30.11.2023г.
4. After SB implementation RRJ-52-00485-БД to remove placards p/n T7.7513.199.001, T7.7513.199.002 (see Fig. 4) installed in accordance with Technical Decision RRJ0000-OR-470-4950/A: on front passenger doors (see Fig. 1, Fig. 4), front service door (see Fig. 2, Fig. 4), on rear passenger and service doors (see Fig. 3, Fig. 4) in accordance with AMM task 11-00-00-900-801 «Installation and removal of inscription».
5. This Technical Decision cancels Technical Decision RRJ0000-OR-470-4950.

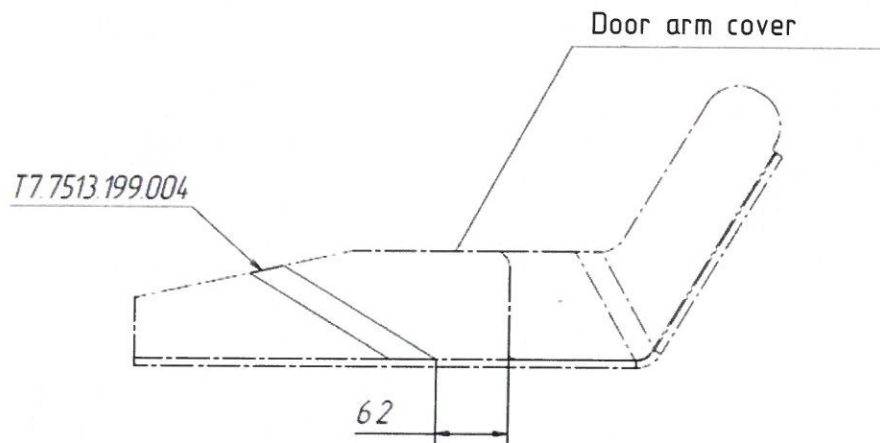
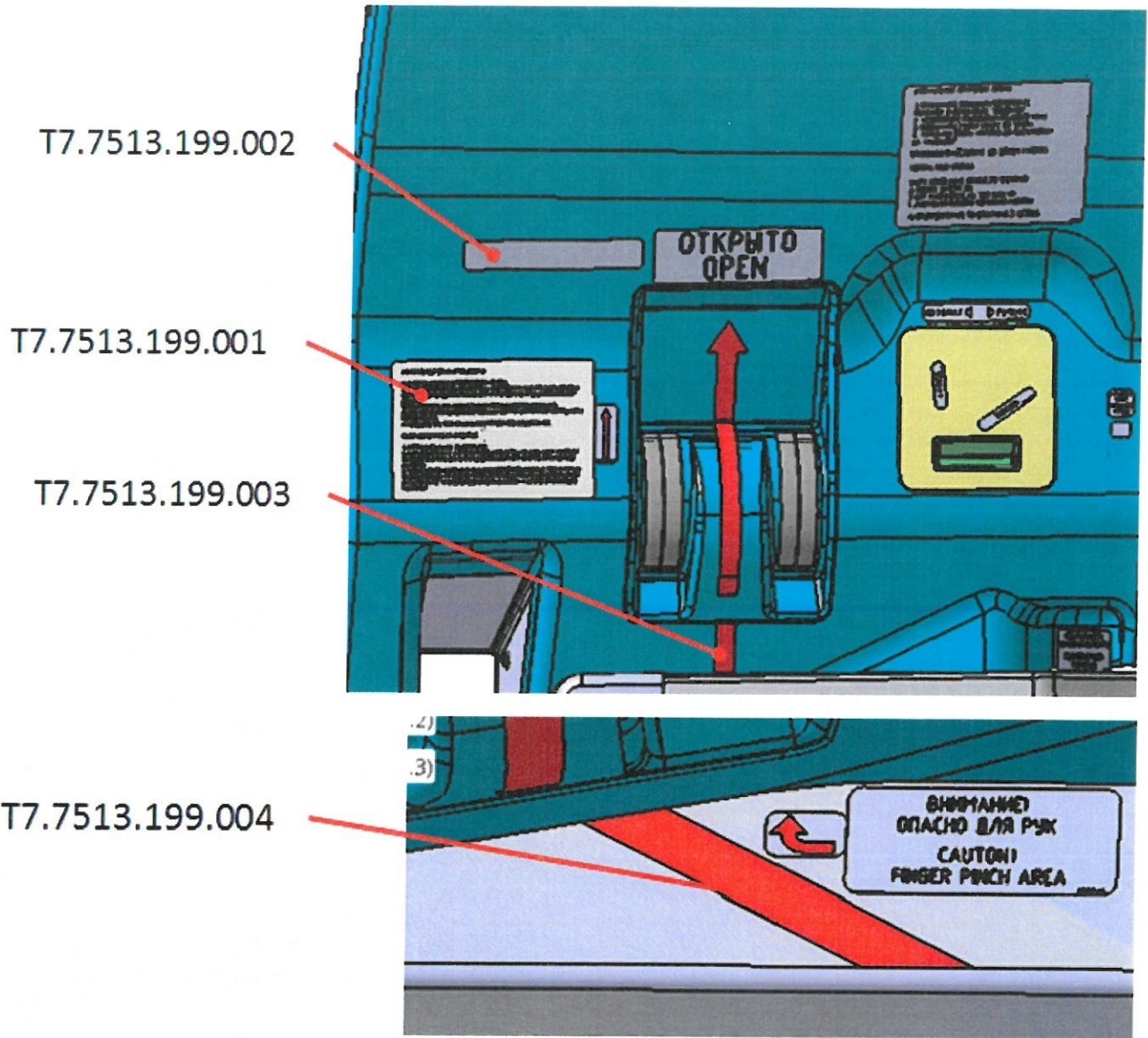
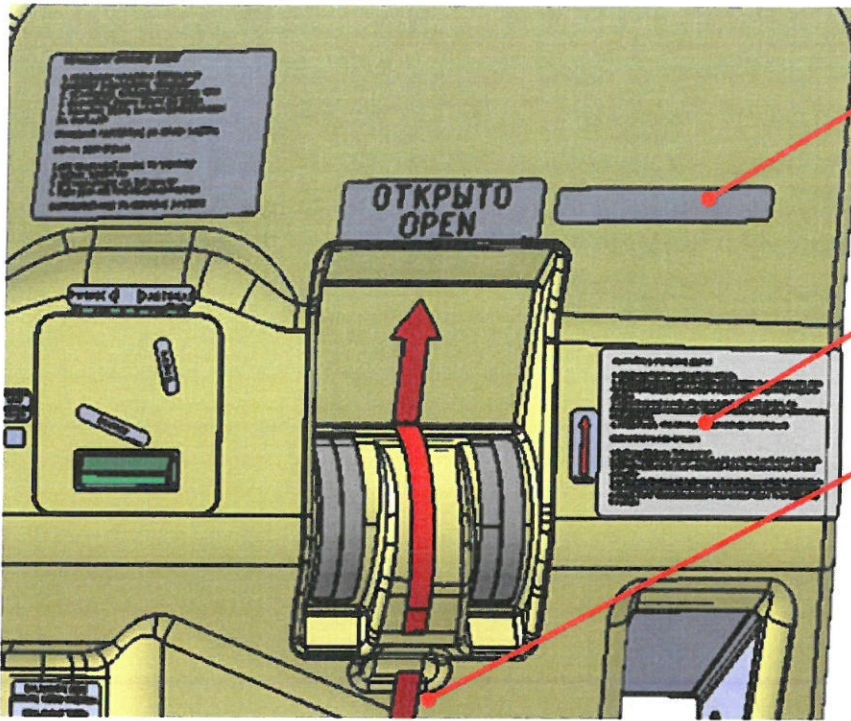


Fig. 1 (Front passenger door)



T7.7513.199.002

T7.7513.199.001

T7.7513.199.003

T7.92.7513.005

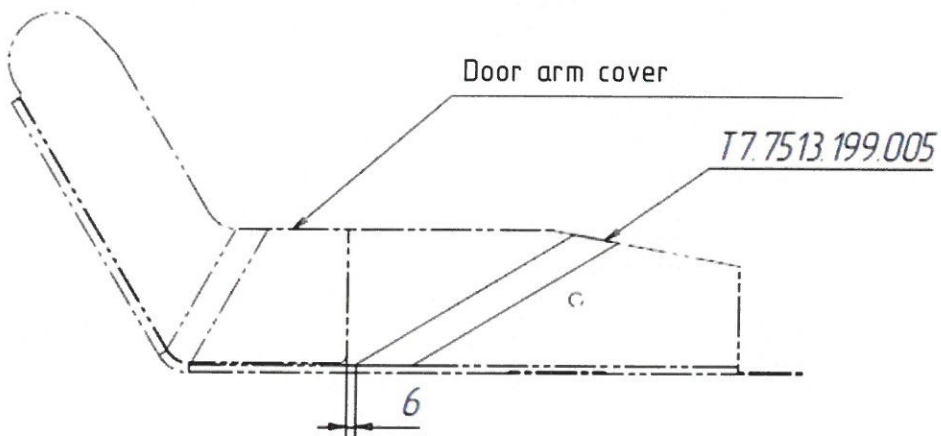
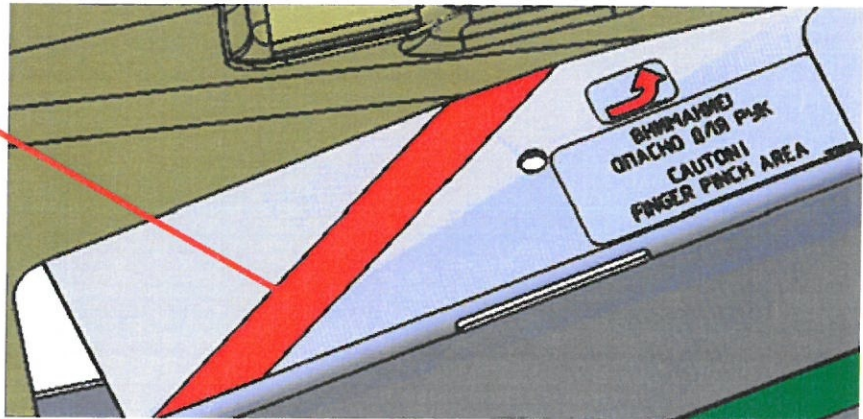
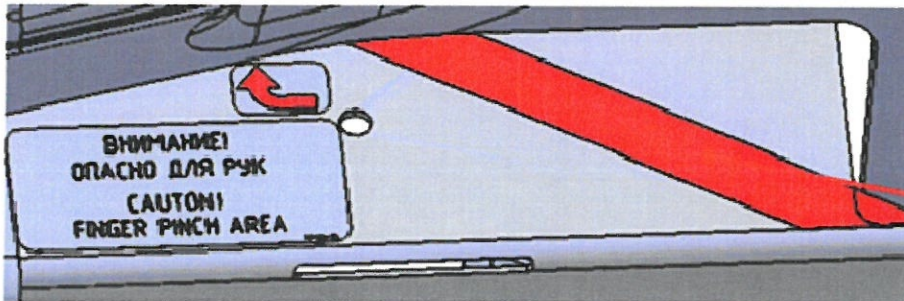
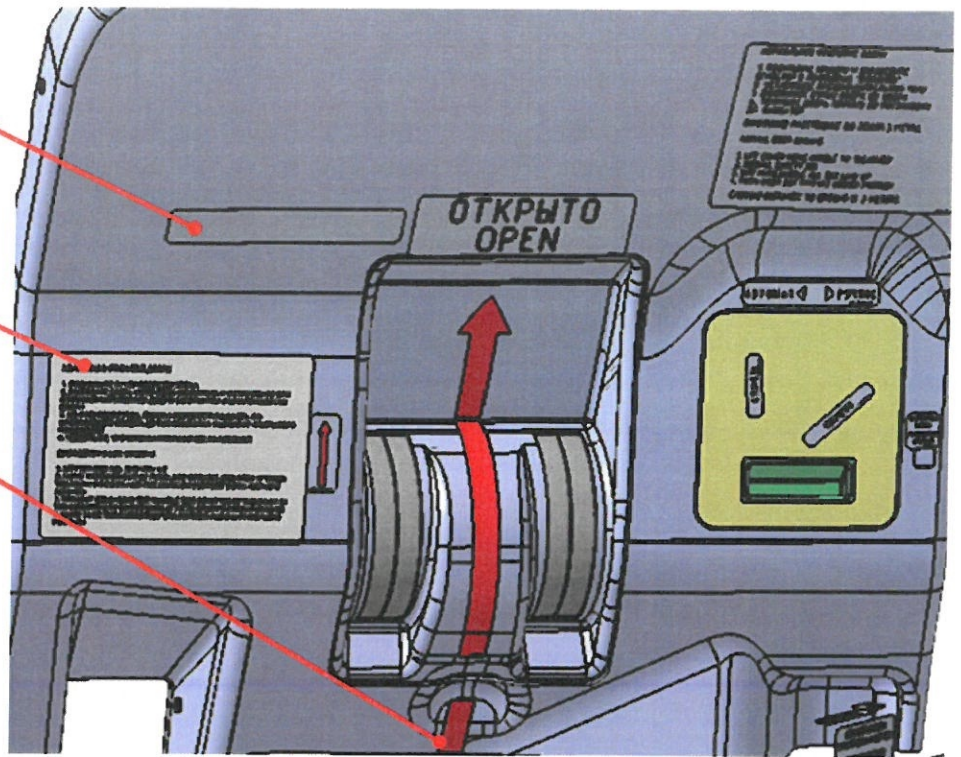


Fig. 2 (Front service door)

T7.7513.199.002

T7.7513.199.001

T7.7513.199.003



T7.92.7513.006

For aft passenger door

T7.92.7513.007

For aft service door

Door arm cover

T7.7513.199.006 - Aft passenger door

T7.7513.199.007 - Aft service door (mirror)

Align the placard with cover edges

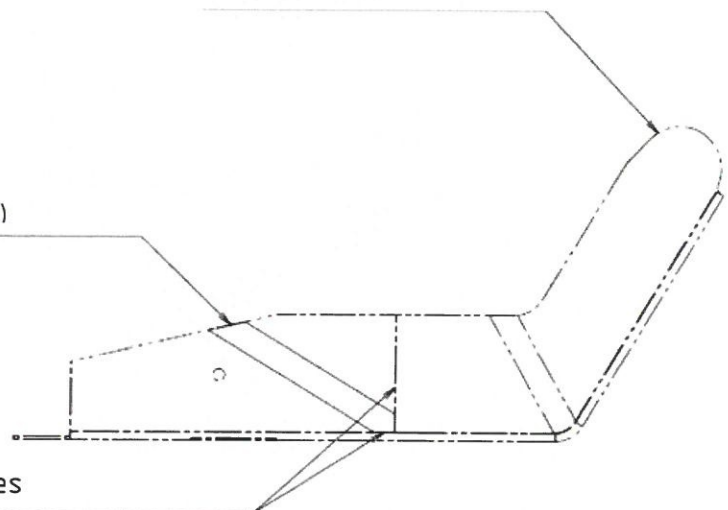
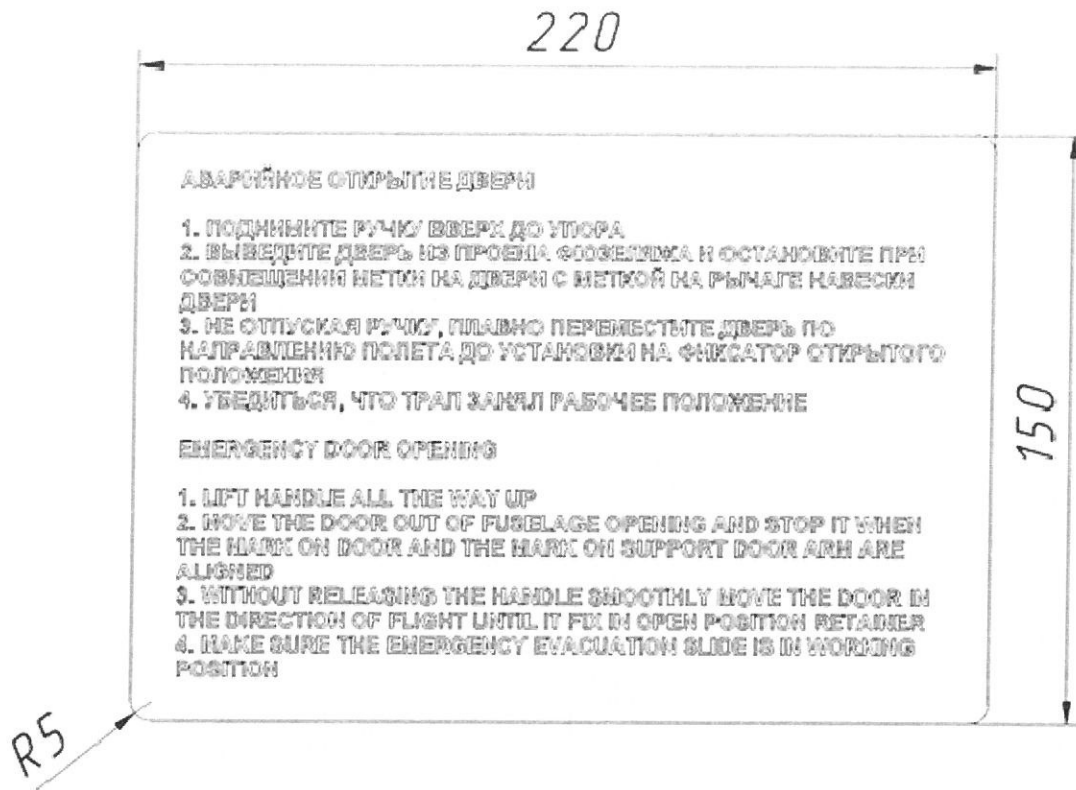
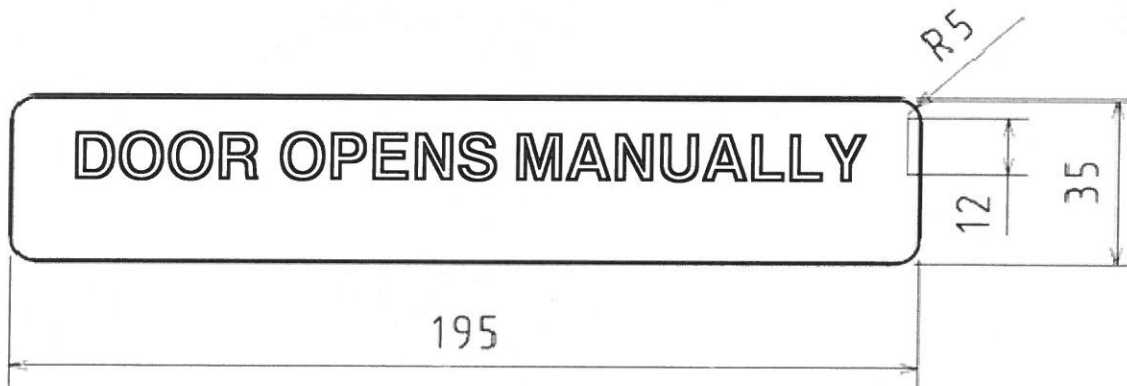


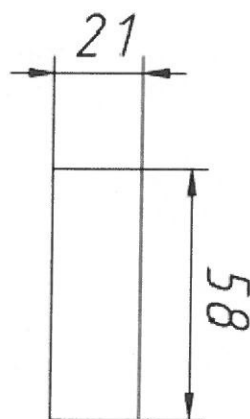
Fig. 3 (Aft passenger and service door)



T7.7513.199.001

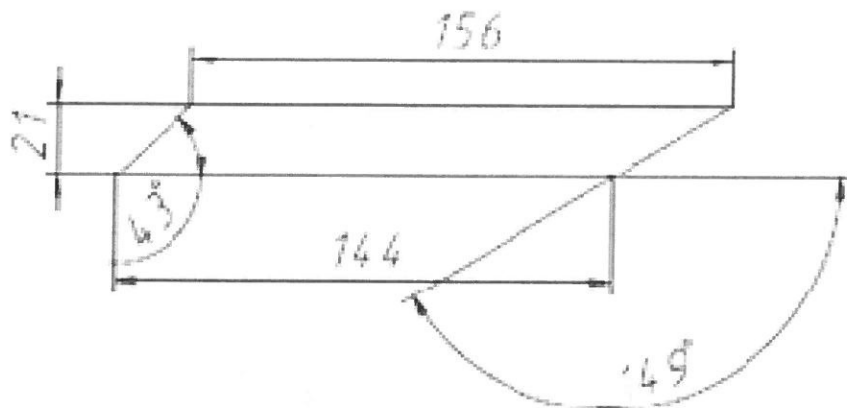


T7.7513.199.002

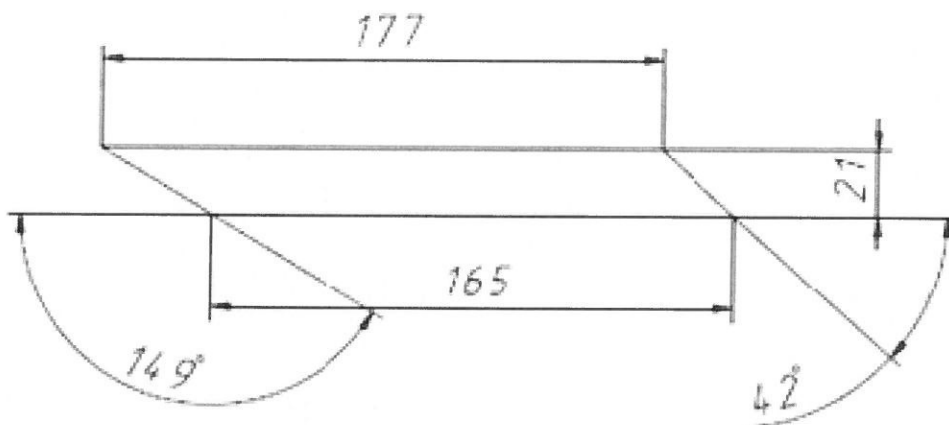


T7.7513.199.003

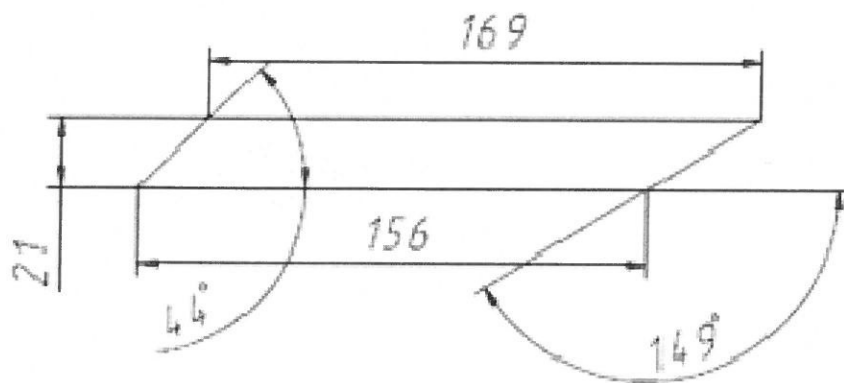
Fig. 4 Placards



T7.7513.199.004



T7.7513.199.005



T7.7513.199.006

Fig. 5 Placards

Appendix: AMM task 52-10-00-010-802 «Opening of entrance and service doors in automatic or manual mode with emergency slide extension» - on 8 pages, 1 copy.